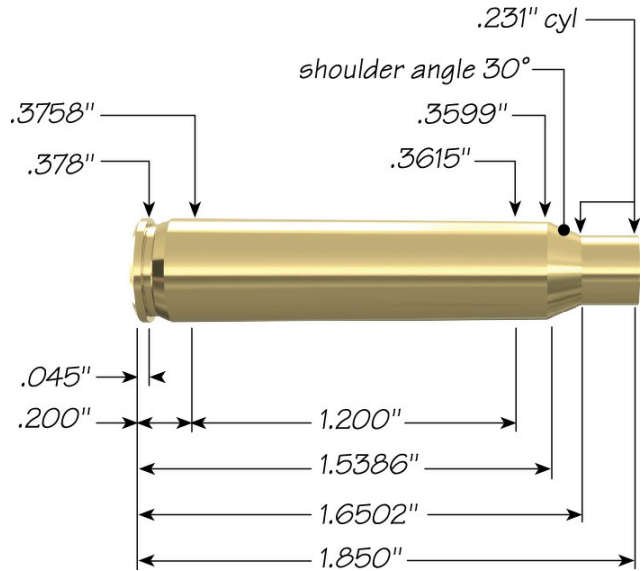



204 Ruger with 39 gr TNT® HP



Max Case Length:	1.850"
Trim-to Length:	1.840"
Max Cart. OAL:	2.260"
RCBS Shell Holder:	# 10
Test Firearm:	Universal Receiver
Barrel Length:	24"



20	Speer Part No.	Weight, grains	COAL Tested	Ballistic Coefficient	Sectional Density	
	39 gr TNT® HP	1015	39	2.260"	.202	.134

Propellant	Cartridge Case	Primer	START CHARGE		MAXIMUM CHARGE	
			Grain	Velocity (ft/sec)	Grain	Velocity (ft/sec)
Accurate 2230	Federal	CCI400	22.8	3421	24.9	3676
Alliant AR-Comp	Federal	CCI400	23.5	3512	26.1	3754
Alliant Power Pro 1200-R	Federal	CCI400	21.2	3392	23.6	3654
Alliant Power Pro 2000-MR	Federal	CCI400	26.9	3495	29.8	3794
Alliant Power Pro Varmint	Federal	CCI400	23.8	3405	26.4	3718
Alliant Reloder 15	Federal	CCI400	25.4	3443	28.2	3756
Hodgdon CFE 223	Federal	CCI400	24.9	3443	27.5	3744
IMR 8208 XBR	Federal	CCI400	23.8	3462	26.2	3735

Ramshot X-Terminator	Federal	CCI400	23.5	3424	25.7	3704
Vihtavuori N140	Federal	CCI400	24.8	3435	27.3	3683
Vihtavuori N530	Federal	CCI400	22.5	3435	24.3	3667

speer-ammo.com