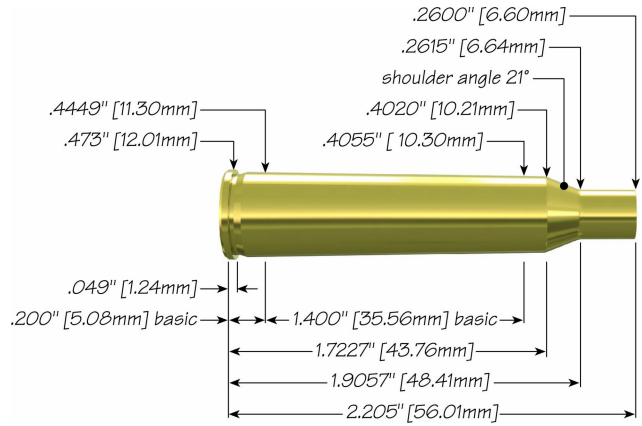



220 Swift with 40 gr Spire SP



Max Case Length: 2.205"
Trim-to Length: 2.195"
Max Cart. OAL: 2.680"
RCBS Shell Holder: # 11
Test Firearm: Universal Receiver
Barrel Length: 24"



22	Speer Part No.	Weight, grains	COAL Tested	Ballistic Coefficient	Sectional Density	
	40 gr Spire SP	1017	40	2.625"	.144	.114

Propellant	Cartridge Case	Primer	START CHARGE		MAXIMUM CHARGE	
			Grain	Velocity (ft/sec)	Grain	Velocity (ft/sec)
Accurate 4350	Winchester	CCI 200	41.0	3265	45.0 C	3691
Alliant AR-Comp	Hornady	CCI 200	34.7	3850	38.6	4197
Alliant Power Pro 2000-MR	Hornady	CCI 200	39.1	3879	43.4	4253
Alliant Reloder 15	Winchester	CCI 200	37.0	3513	41.0	3910
Alliant Reloder 16	Hornady	CCI 200	41.5	3769	43.5 C	3942
Alliant Reloder 17	Hornady	CCI 200	41.0	3830	44.4	4214
Alliant Reloder 19	Winchester	CCI 200	42.0	3287	46.0 C	3671
Hodgdon H380	Winchester	CCI 250	41.0	3588	45.0 C	3922
Hodgdon Varget	Hornady	CCI 200	37.6	3848	41.8	4221

IMR 3031	Winchester	CCI 200	34.5	3445	38.5	3797
IMR 4064	Winchester	CCI 200	35.0	3321	39.0	3642
IMR 4350	Winchester	CCI 200	41.0	3363	45.0 C	3802
IMR 4451	Hornady	CCI 200	41.5	3705	44.5 C	3973
IMR SR 4759 (Reduced Load)	Winchester	CCI 200	10.5	1662	12.5	1964
Vihtavuori N140	Winchester	CCI 200	36.0	3471	40.0	3860
Vihtavuori N160	Winchester	CCI 200	42.0	3440	46.0 C	3841
Winchester 760	Winchester	CCI 250	39.0	3433	43.0	3821

C = Compressed Load

speer-ammo.com