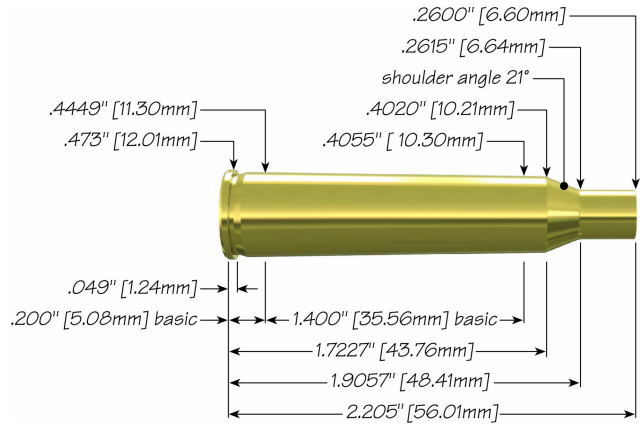


220 Swift with 43 gr TNT Green®



Max Case Length:	2.205"
Trim-to Length:	2.195"
Max Cart. OAL:	2.680"
RCBS Shell Holder:	# 11
Test Firearm:	Universal Receiver
Barrel Length:	24"



22	Speer Part No.	Weight, grains	COAL Tested	Ballistic Coefficient	Sectional Density
----	----------------	----------------	-------------	-----------------------	-------------------



43 gr TNT Green® 1022 43 2.650" .150 .122

Propellant	Cartridge Case	Primer	START CHARGE		MAXIMUM CHARGE	
			Grain	Velocity (ft/sec)	Grain	Velocity (ft/sec)
Accurate 2015	Federal	Federal 210	35.0	3832	37.0	4065
Alliant AR-Comp	Hornady	CCI200	33.9	3823	37.7	4135
Alliant Power Pro 2000-MR	Hornady	CCI200	38.3	3862	42.6	4189
Alliant Reloder 15	Federal	Federal 210	40.0	3922	42.0	4124
Alliant Reloder 16	Hornady	CCI200	41.4	3817	43.5 C	4004
Alliant Reloder 17	Hornady	CCI200	39.9	3754	44.3	4196
Hodgdon H380	Hornady	CCI200	39.3	3835	43.7	4128
Hodgdon H414	Federal	Federal 215	42.0	3960	44.0	4127
Hodgdon Varget	Hornady	CCI200	36.4	3814	40.4	4146

IMR 3031	Federal	Federal 210	35.5	3995	37.5	4165
IMR 4451	Hornady	CCI 200	40.1	3680	44.5 C	4037
Ramshot Big Game	Hornady	CCI 200	40.1	3862	44.6	4186
Vihtavuori N140	Hornady	CCI 200	35.3	3767	39.2	4087
Vihtavuori N160	Hornady	CCI 200	41.4	3670	46.0 C	4026
Vihtavuori N540	Federal	Federal 210	40.5	3990	42.5	4162
Winchester 760	Hornady	CCI 200	39.2	3786	43.6	4129

C = Compressed Load

speer-ammo.com