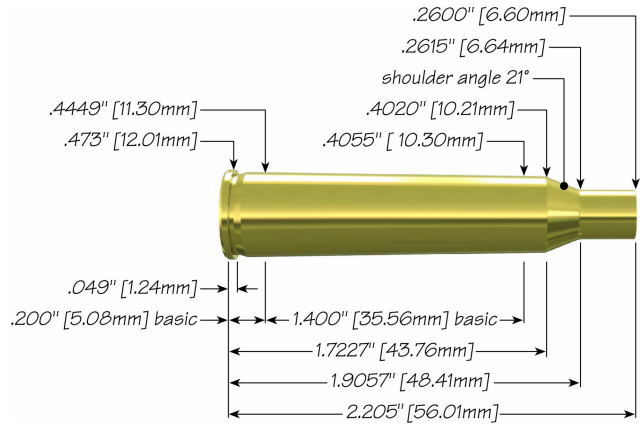



# 220 Swift with 45 gr Spitzer SP



**Max Case Length:** 2.205"  
**Trim-to Length:** 2.195"  
**Max Cart. OAL:** 2.680"  
**RCBS Shell Holder:** # 11  
**Test Firearm:** Universal Receiver  
**Barrel Length:** 24"



22	Speer Part No.	Weight, grains	COAL Tested	Ballistic Coefficient	Sectional Density	
	<b>45 gr Spitzer SP</b>	1023	45	2.650"	.143	.128

Propellant	Cartridge Case	Primer	START CHARGE		MAXIMUM CHARGE	
			Grain	Velocity (ft/sec)	Grain	Velocity (ft/sec)
Accurate 4350	Winchester	CCI 200	41.0	3273	<b>45.0 C</b>	3700
Alliant AR-Comp	Hornady	CCI 200	33.5	3708	<b>37.2</b>	4006
Alliant Power Pro 2000-MR	Hornady	CCI 200	37.4	3717	<b>41.5</b>	4060
Alliant Power Pro Varmint	Hornady	CCI 200	34.8	3689	<b>38.7</b>	4024
Alliant Reloder 15	Winchester	CCI 200	37.5	3471	<b>41.5</b>	3923
Alliant Reloder 16	Hornady	CCI 200	40.5	3691	<b>43.5 C</b>	3944
Alliant Reloder 17	Hornady	CCI 200	40.0	3699	<b>43.3</b>	4060
Alliant Reloder 19	Winchester	CCI 200	42.0	3281	<b>46.0 C</b>	3658
Hodgdon H380	Winchester	CCI 250	40.5	3482	<b>44.5 C</b>	3806

IMR 3031	Winchester	CCI 200	33.5	3275	<b>37.5</b>	3649
IMR 4064	Winchester	CCI 200	33.5	3229	<b>37.5</b>	3582
IMR 4350	Winchester	CCI 200	40.5	3019	<b>44.5 C</b>	3413
IMR 4451	Hornady	CCI 200	40.5	3615	<b>45.0 C</b>	3995
IMR SR 4759 (Reduced Load)	Winchester	CCI 200	10.5	1631	<b>12.5</b>	1930
Vihtavuori N140	Winchester	CCI 200	35.5	3360	<b>39.5</b>	3740
Vihtavuori N160	Winchester	CCI 200	42.0	3421	<b>46.0 C</b>	3819
Winchester 760	Winchester	CCI 250	38.5	2282	<b>42.5</b>	3712

C = Compressed Load

[speer-ammo.com](http://speer-ammo.com)