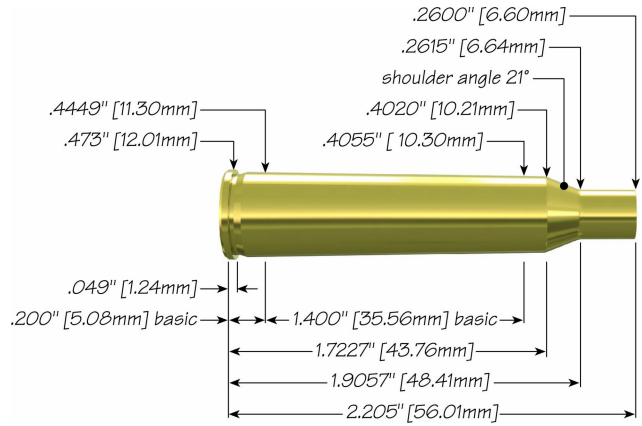




220 Swift with 50 gr Spitzer SP



Max Case Length:	2.205"
Trim-to Length:	2.195"
Max Cart. OAL:	2.680"
RCBS Shell Holder:	# 11
Test Firearm:	Universal Receiver
Barrel Length:	24"



22		Speer Part No.	Weight, grains	COAL Tested	Ballistic Coefficient	Sectional Density
	50 gr Spitzer SP	1029	50	2.650"	.207	.142
	50 gr TNT® HP	1030	50	2.650"	.228	.142

Propellant	Cartridge Case	Primer	START CHARGE		MAXIMUM CHARGE	
			Grain	Velocity (ft/sec)	Grain	Velocity (ft/sec)
Accurate 2700	Winchester	CCI 250	36.0	3117	40.0	3455
Accurate 4350	Winchester	CCI 200	41.0	3288	45.0 C	3685
Alliant AR-Comp	Hornady	CCI 200	33.4	3551	37.1	3863
Alliant Power Pro 2000-MR	Hornady	CCI 200	37.4	3561	41.6	3930
Alliant Power Pro 4000-MR	Hornady	CCI 200	41.0	3514	45.6 C	3942
Alliant Reloder 15	Winchester	CCI 200	36.0	3329	40.0	3706
Alliant Reloder 16	Hornady	CCI 200	40.5	3589	43.5 C	3858
Alliant Reloder 17	Hornady	CCI 200	38.8	3484	43.1	3952

Alliant Reloder 19	Winchester	CCI 200	42.0	3219	46.0 C	3647
Hodgdon H380	Winchester	CCI 250	40.0	3450	44.0	3772
Hodgdon H414	Winchester	CCI 250	38.5	3370	42.5	3694
IMR 3031	Winchester	CCI 200	33.0	3227	37.0	3538
IMR 4064	Winchester	CCI 200	34.0	3156	38.0	3497
IMR 4350	Winchester	CCI 200	40.0	3211	44.0 C	3630
IMR 4451	Hornady	CCI 200	40.1	3500	44.5 C	3890
IMR 4831	Winchester	CCI 200	40.0	3064	44.0 C	3531
IMR SR 4759 (Reduced Load)	Winchester	CCI 200	11.0	1668	13.0	1968
Vihtavuori N140	Winchester	CCI 200	35.0	3342	39.0	3665
Vihtavuori N160	Winchester	CCI 200	42.0	3391	46.0 C	3788
Winchester 760	Winchester	CCI 250	38.5	3310	42.5	3668

C = Compressed Load

speer-ammo.com