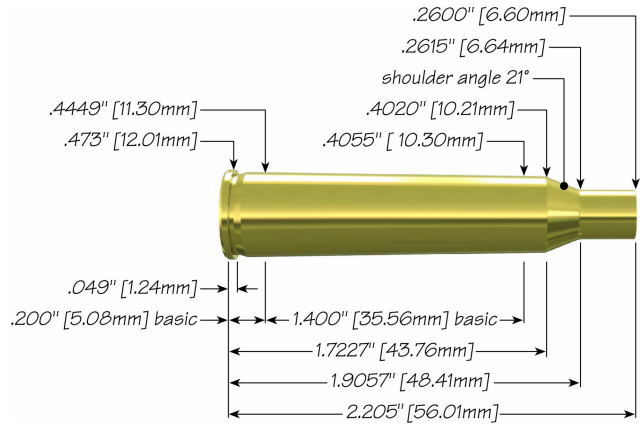


# 220 Swift with 50 gr TNT Green®



<b>Max Case Length:</b>	2.205"
<b>Trim-to Length:</b>	2.195"
<b>Max Cart. OAL:</b>	2.680"
<b>RCBS Shell Holder:</b>	# 11
<b>Test Firearm:</b>	Universal Receiver
<b>Barrel Length:</b>	24"



22	Speer Part No.	Weight, grains	COAL Tested	Ballistic Coefficient	Sectional Density
----	----------------	----------------	-------------	-----------------------	-------------------



**50 gr TNT Green®** 1028 50 2.630" .190 .142

Propellant	Cartridge Case	Primer	START CHARGE		MAXIMUM CHARGE	
			Grain	Velocity (ft/sec)	Grain	Velocity (ft/sec)
Accurate 2015	Federal	Federal 210	33.5	3566	<b>35.5</b>	3779
Accurate 4350	Hornady	CCI200	40.1	3458	<b>44.5 C</b>	3812
Alliant Power Pro 4000-MR	Hornady	CCI200	41.4	3592	<b>46.0 C</b>	3911
Alliant Reloder 15	Federal	Federal 210	35.5	3656	<b>37.5</b>	3841
Alliant Reloder 16	Hornady	CCI200	39.2	3545	<b>43.5 C</b>	3894
Alliant Reloder 17	Hornady	CCI200	38.1	3461	<b>42.3</b>	3927
Alliant Reloder 19	Hornady	CCI200	41.9	3512	<b>46.5 C</b>	3902
Alliant Reloder 23	Hornady	CCI200	42.0 C	3489	<b>44.0 C</b>	3652
Hodgdon H380	Hornady	CCI200	38.0	3577	<b>42.1</b>	3849

Hodgdon H4350	Hornady	CCI200	40.4	3577	<b>44.9 C</b>	3890
Hodgdon H4831SC	Hornady	CCI200	41.4	3398	<b>46.0 C</b>	3718
Hodgdon H4895	Federal	Federal 210	34.0	3712	<b>36.0</b>	3866
IMR 3031	Federal	Federal 210	33.0	3692	<b>35.0</b>	3831
IMR 7828	Hornady	CCI200	42.5	3350	<b>44.5 C</b>	3513
Ramshot Big Game	Federal	Federal 215	40.0	3734	<b>42.0</b>	3881
Vihtavuori N540	Federal	Federal 210	38.0	3733	<b>40.0</b>	3890
Winchester 760	Hornady	CCI200	38.1	3553	<b>42.3</b>	3877

C = Compressed Load

[speer-ammo.com](http://speer-ammo.com)