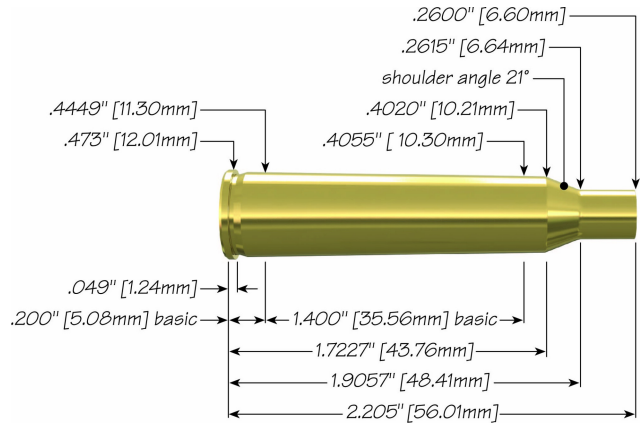




220 Swift with 52 gr Match BTHP



Max Case Length: 2.205"
Trim-to Length: 2.195"
Max Cart. OAL: 2.680"
RCBS Shell Holder: # 11
Test Firearm: Universal Receiver
Barrel Length: 24"



22	Speer Part No.	Weight, grains	COAL Tested	Ballistic Coefficient	Sectional Density	
	52 gr HP	1035	52	2.680"	.168	.148
	52 gr Match BTHP	1036	52	2.680"	.230	.148

Propellant	Cartridge Case	Primer	START CHARGE		MAXIMUM CHARGE	
			Grain	Velocity (ft/sec)	Grain	Velocity (ft/sec)
Accurate 4350	Winchester	CCI 200	41.0	3240	45.0 C	3663
Alliant AR-Comp	Hornady	CCI 200	32.0	3485	35.5	3735
Alliant Power Pro 2000-MR	Hornady	CCI 200	35.6	3556	39.5	3809
Alliant Power Pro 4000-MR	Hornady	CCI 200	40.0	3462	44.4 C	3863
Alliant Reloder 15	Winchester	CCI 200	35.5	3295	39.5	3668
Alliant Reloder 16	Hornady	CCI 200	39.2	3539	43.5 C	3881
Alliant Reloder 17	Hornady	CCI 200	37.9	3472	42.1	3885
Alliant Reloder 19	Winchester	CCI 200	42.0	3267	46.0 C	3642

Hodgdon H380	Winchester	CCI 250	39.5	3328	43.5	3637
Hodgdon H4831	Winchester	CCI 200	40.0	3028	44.0 C	3509
IMR 3031	Winchester	CCI 200	32.5	3200	36.5	3509
IMR 4350	Winchester	CCI 200	39.0	3199	43.0	3616
IMR 4451	Hornady	CCI 200	38.4	3383	42.7	3772
IMR 4831	Winchester	CCI 200	40.0	3028	44.0 C	3509
IMR SR 4759 (Reduced Load)	Winchester	CCI 200	11.0	1679	13.0	1991
Vihtavuori N140	Winchester	CCI 200	35.0	3268	39.0	3639
Vihtavuori N160	Winchester	CCI 200	42.0	3372	46.0 C	3765
Winchester 760	Winchester	CCI 250	37.5	3212	41.5	3577

C = Compressed Load

speer-ammo.com