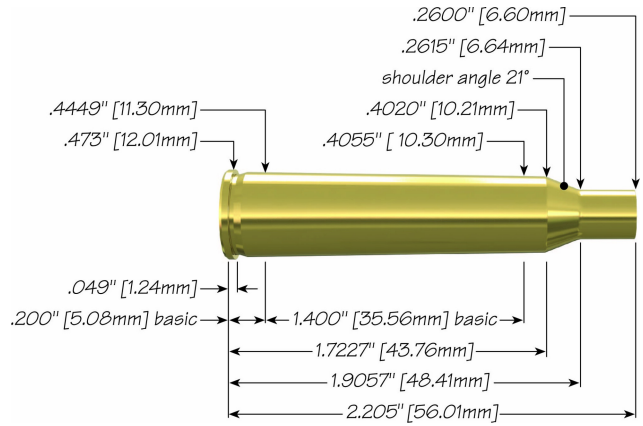




220 Swift with 55 gr Spitzer SP



Max Case Length:	2.205"
Trim-to Length:	2.195"
Max Cart. OAL:	2.680"
RCBS Shell Holder:	# 11
Test Firearm:	Universal Receiver
Barrel Length:	24"



22	Speer Part No.	Weight, grains	COAL Tested	Ballistic Coefficient	Sectional Density	
	55 gr Spitzer SP	1047	55	2.650"	.212	.157
	55 gr TNT® HP	1032	55	2.680"	.233	.157

Propellant	Cartridge Case	Primer	START CHARGE		MAXIMUM CHARGE	
			Grain	Velocity (ft/sec)	Grain	Velocity (ft/sec)
Accurate 2700	Winchester	CCI 250	37.0	3203	41.0	3500
Accurate 4350	Winchester	CCI 200	41.0	3280	45.0 C	3708
Alliant AR-Comp	Hornady	CCI 200	32.2	3435	35.8	3669
Alliant Power Pro 2000-MR	Hornady	CCI 200	35.5	3495	39.4	3730
Alliant Power Pro 4000-MR	Winchester	CCI 200	39.4	3353	43.8	3769
Alliant Reloder 15	Winchester	CCI 200	35.0	3221	39.0	3585
Alliant Reloder 16	Hornady	CCI 200	39.1	3467	43.4 C	3838
Alliant Reloder 17	Hornady	CCI 200	37.4	3389	41.6	3793

Alliant Reloder 19	Winchester	CCI 200	42.0	3174	46.0 C	3637
H4831SC	Winchester	CCI 200	41.0	3053	45.0 C	3516
Hodgdon H380	Winchester	CCI 250	39.0	3304	43.0	3610
IMR 3031	Winchester	CCI 200	32.0	3149	36.0	3442
IMR 4320	Winchester	CCI 200	35.0	3225	39.0	3536
IMR 4350	Winchester	CCI 200	39.0	3116	43.0	3523
IMR 4451	Hornady	CCI 200	38.1	3342	42.3	3692
IMR SR 4759 (Reduced Load)	Winchester	CCI 200	11.5	1707	13.5	1990
Vihtavuori N140	Winchester	CCI 200	35.0	3256	39.0	3624
Vihtavuori N160	Winchester	CCI 200	42.0	3340	46.0 C	3730
Winchester 760	Winchester	CCI 250	36.5	3116	40.5	3468

C = Compressed Load

speer-ammo.com