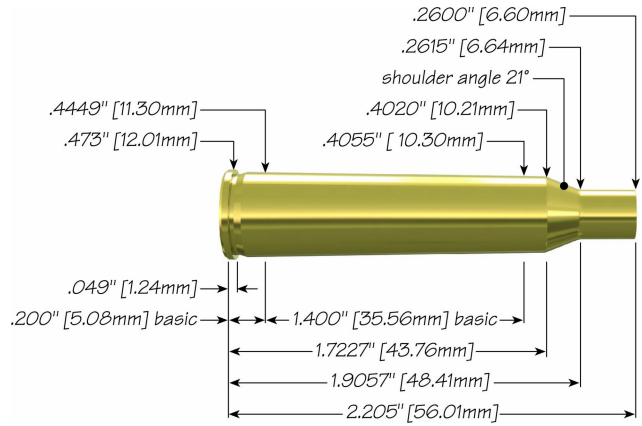



# 220 Swift with 70 gr Semi-Spitzer SP



**Max Case Length:** 2.205"  
**Trim-to Length:** 2.195"  
**Max Cart. OAL:** 2.680"  
**RCBS Shell Holder:** # 11  
**Test Firearm:** Universal Receiver  
**Barrel Length:** 24"



22	Speer Part No.	Weight, grains	COAL Tested	Ballistic Coefficient	Sectional Density
	<b>70 gr Semi-Spitzer SP</b> 1053	70	2.570"	.219	.199

Propellant	Cartridge Case	Primer	START CHARGE		MAXIMUM CHARGE	
			Grain	Velocity (ft/sec)	Grain	Velocity (ft/sec)
Accurate 2700	Winchester	CCI 250	34.0	2813	<b>38.0</b>	3068
Accurate 3100	Winchester	CCI 200	39.0	2846	<b>43.0 C</b>	3214
Alliant Power Pro 2000-MR	Hornady	CCI 200	32.6	3027	<b>36.2</b>	3301
Alliant Power Pro 4000-MR	Hornady	CCI 200	37.1	3098	<b>41.2</b>	3416
Alliant Reloder 15	Winchester	CCI 200	32.0	2855	<b>36.0</b>	3178
Alliant Reloder 16	Hornady	CCI 200	35.4	3125	<b>39.3</b>	3409
Alliant Reloder 17	Hornady	CCI 200	35.0	3074	<b>38.9</b>	3426
Alliant Reloder 19	Winchester	CCI 200	38.0	2836	<b>42.0 C</b>	3166
Alliant Reloder 26	Hornady	CCI 200	40.0	3130	<b>44.5 C</b>	3486

Hodgdon H380	Winchester	CCI 250	34.0	2834	<b>38.0</b>	3097
Hodgdon H414	Winchester	CCI 250	33.0	2707	<b>37.0</b>	2972
IMR 4320	Winchester	CCI 200	32.0	2781	<b>36.0</b>	3106
IMR 4350	Winchester	CCI 200	34.0	2608	<b>38.0</b>	2948
IMR 4451	Hornady	CCI 200	35.1	2981	<b>39.0</b>	3295
IMR 4831	Winchester	CCI 200	36.0	2604	<b>40.0</b>	3000
IMR SR 4759 (Reduced Load)	Winchester	CCI 200	12.0	1642	<b>14.0</b>	1899
Vihtavuori N160	Winchester	CCI 200	38.0	2902	<b>42.0 C</b>	3306
Winchester 760	Winchester	CCI 250	33.0	2776	<b>37.0</b>	3038

C = Compressed Load

[speer-ammo.com](http://speer-ammo.com)