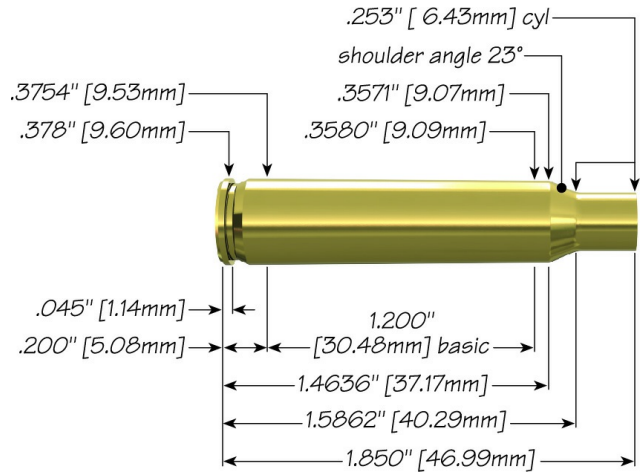



# 222 Remington Magnum with 40 gr Spire SP



<b>Max Case Length:</b>	1.850"
<b>Trim-to Length:</b>	1.840"
<b>Max Cart. OAL:</b>	2.280"
<b>RCBS Shell Holder:</b>	# 10
<b>Test Firearm:</b>	Universal Receiver
<b>Barrel Length:</b>	24"



22	Speer Part No.	Weight, grains	COAL Tested	Ballistic Coefficient	Sectional Density	
	<b>40 gr Spire SP</b>	1017	40	2.200"	.144	.114

Propellant	Cartridge Case	Primer	START CHARGE		MAXIMUM CHARGE	
			Grain	Velocity (ft/sec)	Grain	Velocity (ft/sec)
Hodgdon BL-C(2)	Remington	CCI 450	26.0	3316	<b>28.0</b>	3595
Hodgdon H335	Remington	CCI 450	27.0	3437	<b>29.0</b>	3739
IMR 3031	Remington	CCI 400	25.0	3377	<b>27.0</b>	3631
IMR 4064	Remington	CCI 400	26.0	3262	<b>28.0</b>	3497
IMR 4198	Remington	CCI 400	21.5	3258	<b>23.5</b>	3548
IMR 4320	Remington	CCI 400	27.0	3458	<b>29.0</b>	3701
IMR SR 4759 (Reduced Load)	Remington	CCI 400	8.0	1541	<b>10.0</b>	1913
Winchester 748	Remington	CCI 450	29.0	3412	<b>31.0</b>	3669

