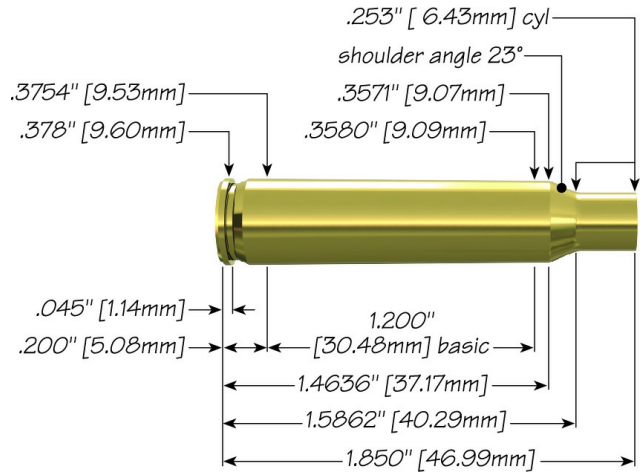



# 222 Remington Magnum with 45 gr Spitzer SP



<b>Max Case Length:</b>	1.850"
<b>Trim-to Length:</b>	1.840"
<b>Max Cart. OAL:</b>	2.280"
<b>RCBS Shell Holder:</b>	# 10
<b>Test Firearm:</b>	Universal Receiver
<b>Barrel Length:</b>	24"



22	Speer Part No.	Weight, grains	COAL Tested	Ballistic Coefficient	Sectional Density	
	<b>45 gr Spitzer SP</b>	1023	45	2.220"	.143	.128

Propellant	Cartridge Case	Primer	START CHARGE		MAXIMUM CHARGE	
			Grain	Velocity (ft/sec)	Grain	Velocity (ft/sec)
Alliant Reloder 7	Remington	CCI 400	21.5	3083	<b>23.5</b>	3355
Hodgdon H335	Remington	CCI 450	27.0	3397	<b>29.0</b>	3670
IMR 3031	Remington	CCI 400	25.0	3276	<b>27.0</b>	3532
IMR 4198	Remington	CCI 400	21.5	3203	<b>23.5</b>	3496
IMR 4320	Remington	CCI 400	27.0	3339	<b>29.0</b>	3569
IMR 4895	Remington	CCI 400	25.0	3167	<b>27.0</b>	3403
IMR SR 4759 (Reduced Load)	Remington	CCI 400	8.5	1607	<b>10.5</b>	1987
Winchester 748	Remington	CCI 450	28.0	3396	<b>30.0</b>	3662

