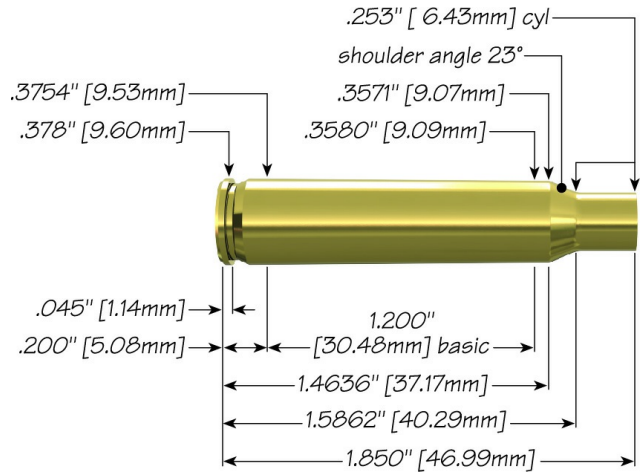




# 222 Remington Magnum with 50 gr Spitzer SP



|                           |                    |
|---------------------------|--------------------|
| <b>Max Case Length:</b>   | 1.850"             |
| <b>Trim-to Length:</b>    | 1.840"             |
| <b>Max Cart. OAL:</b>     | 2.280"             |
| <b>RCBS Shell Holder:</b> | # 10               |
| <b>Test Firearm:</b>      | Universal Receiver |
| <b>Barrel Length:</b>     | 24"                |



| 22  | Speer Part No.          | Weight, grains | COAL Tested | Ballistic Coefficient | Sectional Density |      |
|---|-------------------------|----------------|-------------|-----------------------|-------------------|------|
|  | <b>50 gr Spitzer SP</b> | 1029           | 50          | 2.250"                | .207              | .142 |
|  | <b>50 gr TNT® HP</b>    | 1030           | 50          | 2.250"                | .228              | .142 |

| Propellant                 | Cartridge Case | Primer  | START CHARGE |                   | MAXIMUM CHARGE |                   |
|----------------------------|----------------|---------|--------------|-------------------|----------------|-------------------|
|                            |                |         | Grain        | Velocity (ft/sec) | Grain          | Velocity (ft/sec) |
| Hodgdon BL-C(2)            | Remington      | CCI 450 | 25.0         | 3196              | <b>27.0</b>    | 3405              |
| Hodgdon H335               | Remington      | CCI 450 | 26.5         | 3250              | <b>28.5</b>    | 3522              |
| Hodgdon H414               | Remington      | CCI 450 | 29.0         | 3139              | <b>31.0</b>    | 3388              |
| IMR 3031                   | Remington      | CCI 400 | 24.5         | 3155              | <b>26.5</b>    | 3403              |
| IMR 4064                   | Remington      | CCI 400 | 26.0         | 3196              | <b>28.0</b>    | 3422              |
| IMR 4198                   | Remington      | CCI 400 | 21.0         | 3138              | <b>23.0</b>    | 3423              |
| IMR 4320                   | Remington      | CCI 400 | 27.0         | 3262              | <b>29.0</b>    | 3490              |
| IMR SR 4759 (Reduced Load) | Remington      | CCI 400 | 9.0          | 1690              | <b>11.0</b>    | 2077              |

