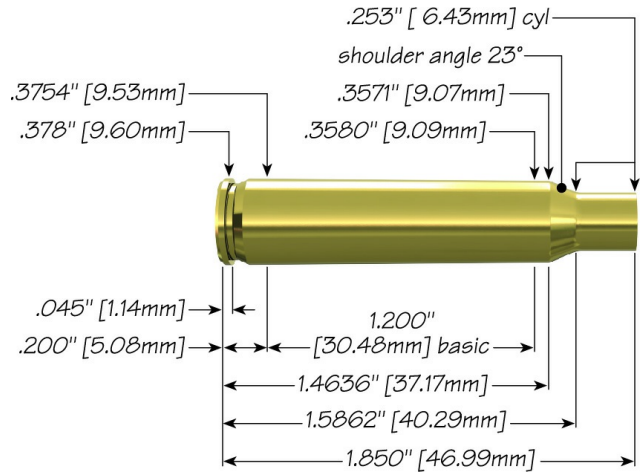




# 222 Remington Magnum with 52 gr HP



<b>Max Case Length:</b>	1.850"
<b>Trim-to Length:</b>	1.840"
<b>Max Cart. OAL:</b>	2.280"
<b>RCBS Shell Holder:</b>	# 10
<b>Test Firearm:</b>	Universal Receiver
<b>Barrel Length:</b>	24"



22	Speer Part No.	Weight, grains	COAL Tested	Ballistic Coefficient	Sectional Density
	1035	52	2.250"	.168	.148
	1036	52	2.250"	.230	.148

Propellant	Cartridge Case	Primer	START CHARGE		MAXIMUM CHARGE	
			Grain	Velocity (ft/sec)	Grain	Velocity (ft/sec)
Alliant Reloder 7	Remington	CCI 400	20.0	2935	<b>22.0</b>	3227
Hodgdon BL-C(2)	Remington	CCI 450	24.5	3187	<b>26.5</b>	3466
Hodgdon H335	Remington	CCI 450	26.0	3232	<b>28.0</b>	3488
Hodgdon H414	Remington	CCI 450	29.0	3066	<b>31.0 C</b>	3301
IMR 3031	Remington	CCI 400	24.5	3177	<b>26.5</b>	3429
IMR 4064	Remington	CCI 400	26.0	3195	<b>28.0</b>	3423
IMR 4320	Remington	CCI 400	27.0	3229	<b>29.0</b>	3454
IMR 4895	Remington	CCI 400	25.0	3104	<b>27.0</b>	3337

