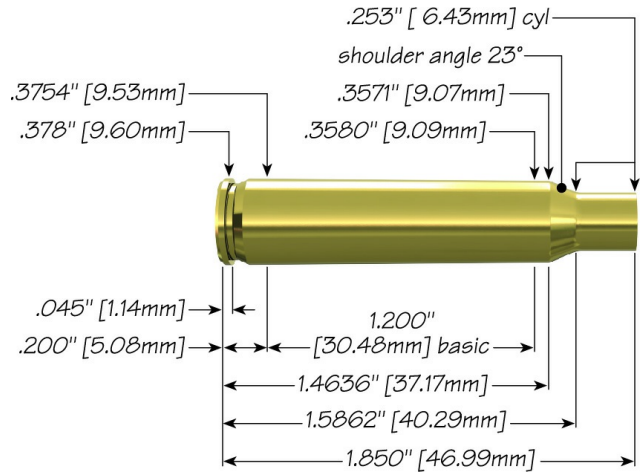




222 Remington Magnum with 55 gr Spitzer SP



Max Case Length:	1.850"
Trim-to Length:	1.840"
Max Cart. OAL:	2.280"
RCBS Shell Holder:	# 10
Test Firearm:	Universal Receiver
Barrel Length:	24"



22	Speer Part No.	Weight, grains	COAL Tested	Ballistic Coefficient	Sectional Density	
	55 gr Spitzer SP	1047	55	2.250"	.212	.157
	55 gr TNT® HP	1032	55	2.250"	.233	.157

Propellant	Cartridge Case	Primer	START CHARGE		MAXIMUM CHARGE	
			Grain	Velocity (ft/sec)	Grain	Velocity (ft/sec)
Hodgdon BL-C(2)	Remington	CCI 450	24.5	3044	26.5	3302
Hodgdon H335	Remington	CCI 450	25.5	3090	27.5	3350
Hodgdon H414	Remington	CCI 450	29.0	2988	31.0	3230
IMR 3031	Remington	CCI 400	24.0	3059	26.0	3297
IMR 4064	Remington	CCI 400	25.5	3083	27.5	3301
IMR 4320	Remington	CCI 400	26.0	3091	28.0	3318
IMR 4895	Remington	CCI 400	24.5	3046	26.5	3282
IMR SR 4759 (Reduced Load)	Remington	CCI 400	9.0	1694	11.0	2068

