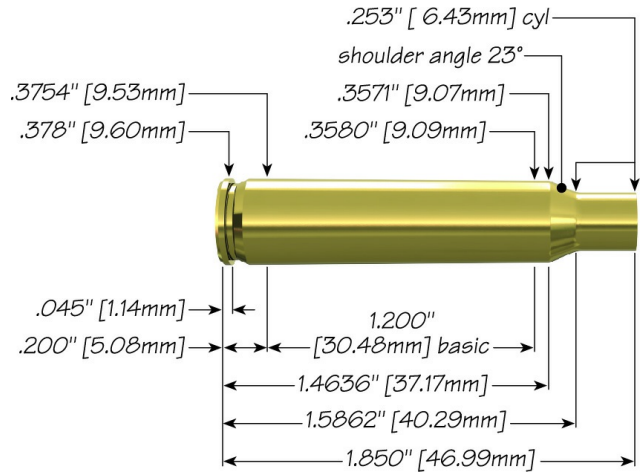



222 Remington Magnum with 70 gr Semi-Spitzer SP



Max Case Length:	1.850"
Trim-to Length:	1.840"
Max Cart. OAL:	2.280"
RCBS Shell Holder:	# 10
Test Firearm:	Universal Receiver
Barrel Length:	24"



22	Speer Part No.	Weight, grains	COAL Tested	Ballistic Coefficient	Sectional Density
	1053	70	2.260"	.219	.199

Propellant	Cartridge Case	Primer	START CHARGE		MAXIMUM CHARGE	
			Grain	Velocity (ft/sec)	Grain	Velocity (ft/sec)
Hodgdon H335	Remington	CCI 450	23.0	2685	25.0	2943
Hodgdon H380	Remington	CCI 450	27.0	2621	29.0	2855
Hodgdon H414	Remington	CCI 450	26.0	2655	28.0	2878
IMR 3031	Remington	CCI 400	22.0	2659	24.0	2885
IMR 4064	Remington	CCI 400	24.5	2825	26.5	3049
IMR 4320	Remington	CCI 400	24.5	2781	26.5	2988
IMR 4895	Remington	CCI 400	23.0	2727	25.0	2943
IMR SR 4759 (Reduced Load)	Remington	CCI 400	10.0	1615	12.0	1926

