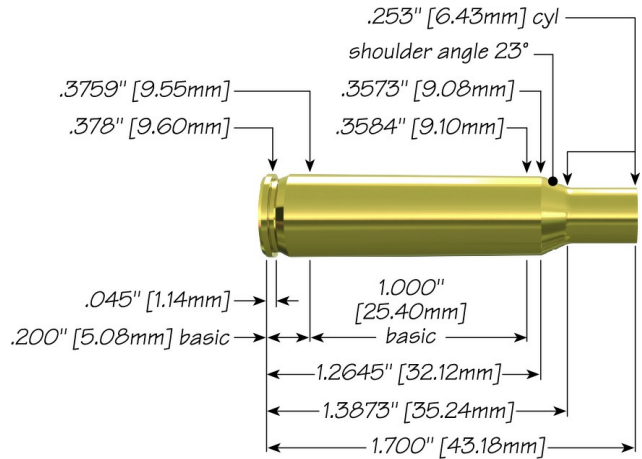



# 222 Remington with 40 gr Spire SP



**Max Case Length:** 1.700"  
**Trim-to Length:** 1.690"  
**Max Cart. OAL:** 2.130"  
**RCBS Shell Holder:** # 10  
**Test Firearm:** Universal Receiver  
**Barrel Length:** 24"



22	Speer Part No.	Weight, grains	COAL Tested	Ballistic Coefficient	Sectional Density	
	<b>40 gr Spire SP</b>	1017	40	2.130"	.144	.114

Propellant	Cartridge Case	Primer	START CHARGE		MAXIMUM CHARGE	
			Grain	Velocity (ft/sec)	Grain	Velocity (ft/sec)
Accurate 2015	Remington	CCI400	22.0	3301	<b>24.0</b>	3608
Accurate 2230	Remington	CCI450	22.5	3143	<b>24.5</b>	3465
Accurate 2460	Remington	CCI450	23.5	3212	<b>25.5 C</b>	3581
Accurate 2520	Remington	CCI450	24.0	3299	<b>26.0 C</b>	3447
Accurate LT-30	Federal	Federal 205	19.9	3102	<b>22.1</b>	3441
Alliant AR-Comp	Federal	Federal 205	23.1	3167	<b>24.0 C</b>	3281
Alliant Power Pro 1200-R	Federal	Federal 205	21.3	3189	<b>23.6</b>	3505
Alliant Power Pro Varmint	Federal	Federal 205	24.0	3137	<b>26.6</b>	3486
Alliant Reloder 10X	Federal	Federal 205	21.1	3111	<b>23.4</b>	3439

Alliant Reloder 7	Remington	CCI400	20.0	3382	<b>22.0</b>	3617
Hodgdon BL-C(2)	Remington	CCI450	24.5	3236	<b>26.5 C</b>	3502
Hodgdon H322	Remington	CCI400	22.5	3273	<b>24.5</b>	3538
Hodgdon H335	Remington	CCI450	23.0	3078	<b>25.0</b>	3382
Hodgdon H4198	Remington	CCI400	19.5	3306	<b>21.5</b>	3498
Hodgdon H4895	Remington	CCI400	22.0	3000	<b>24.0 C</b>	3333
IMR 3031	Remington	CCI400	22.0	3080	<b>24.0 C</b>	3312
IMR 4198	Remington	CCI400	19.0	3237	<b>21.0</b>	3444
IMR 4895	Remington	CCI400	23.0	3157	<b>25.0 C</b>	3432
Vihtavuori N120	Remington	CCI400	18.0	3049	<b>20.0</b>	3395
Winchester 748	Remington	CCI450	23.0	3079	<b>25.0</b>	3402

C = Compressed Load

[speer-ammo.com](http://speer-ammo.com)