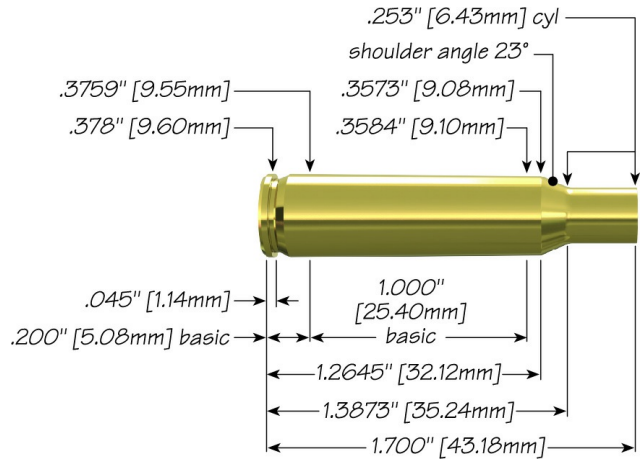



# 222 Remington with 45 gr Spitzer SP



**Max Case Length:** 1.700"  
**Trim-to Length:** 1.690"  
**Max Cart. OAL:** 2.130"  
**RCBS Shell Holder:** # 10  
**Test Firearm:** Universal Receiver  
**Barrel Length:** 24"



22	Speer Part No.	Weight, grains	COAL Tested	Ballistic Coefficient	Sectional Density	
	<b>45 gr Spitzer SP</b>	1023	45	2.130"	.143	.128

Propellant	Cartridge Case	Primer	START CHARGE		MAXIMUM CHARGE	
			Grain	Velocity (ft/sec)	Grain	Velocity (ft/sec)
Accurate 2015	Remington	CCI400	21.0	3160	<b>23.0</b>	3398
Accurate 2230	Remington	CCI450	21.0	2891	<b>23.0</b>	3177
Accurate 2460	Remington	CCI450	23.0	3071	<b>25.0 C</b>	3431
Accurate 2520	Remington	CCI450	24.0	3037	<b>26.0 C</b>	3301
Accurate LT-30	Federal	Federal 205	19.7	3009	<b>21.9</b>	3327
Alliant Power Pro 1200-R	Federal	Federal 205	20.6	3040	<b>22.9</b>	3356
Alliant Power Pro Varmint	Federal	Federal 205	23.7	3043	<b>26.3</b>	3376
Alliant Reloder 10X	Federal	Federal 205	21.0	3049	<b>23.1</b>	3307
Alliant Reloder 7	Remington	CCI400	19.5	3150	<b>21.5</b>	3424

Hodgdon BL-C(2)	Remington	CCI450	24.5	3148	<b>26.5 C</b>	3498
Hodgdon H322	Remington	CCI400	21.5	3154	<b>23.5</b>	3338
Hodgdon H335	Remington	CCI450	22.5	3002	<b>24.5</b>	3211
Hodgdon H4198	Remington	CCI400	18.5	3038	<b>20.5</b>	20.5
Hodgdon H4895	Remington	CCI400	22.0	2942	<b>24.0 C</b>	3215
IMR 4198	Remington	CCI400	18.5	3032	<b>20.5</b>	3278
IMR 4895	Remington	CCI400	22.5	3064	<b>24.5 C</b>	3260
Vihtavuori N120	Remington	CCI400	17.5	2910	<b>19.5</b>	3216
Winchester 748	Remington	CCI450	23.0	3008	<b>25.0</b>	3234

C = Compressed Load

[speer-ammo.com](http://speer-ammo.com)