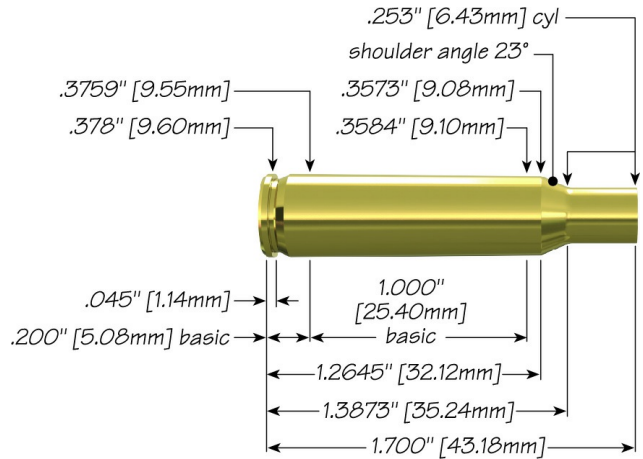




# 222 Remington with 50 gr Spitzer SP



<b>Max Case Length:</b>	1.700"
<b>Trim-to Length:</b>	1.690"
<b>Max Cart. OAL:</b>	2.130"
<b>RCBS Shell Holder:</b>	# 10
<b>Test Firearm:</b>	Universal Receiver
<b>Barrel Length:</b>	24"



22	Speer Part No.	Weight, grains	COAL Tested	Ballistic Coefficient	Sectional Density
	<b>50 gr Spitzer SP</b> 1029	50	2.110"	.207	.142
	<b>50 gr TNT® HP</b> 1030	50	2.130"	.228	.142

Propellant	Cartridge Case	Primer	START CHARGE		MAXIMUM CHARGE	
			Grain	Velocity (ft/sec)	Grain	Velocity (ft/sec)
Accurate 2015	Remington	CCI400	21.0	3161	<b>23.0</b>	3345
Accurate 2230	Remington	CCI450	21.5	2890	<b>23.5</b>	3178
Accurate 2460	Remington	CCI450	22.0	2892	<b>24.0</b>	3224
Accurate 2520	Remington	CCI450	24.0	3130	<b>26.0 C</b>	3270
Accurate LT-30	Federal	Federal 205	17.1	2684	<b>19.0</b>	2940
Alliant AR-Comp	Federal	Federal 205	20.3	2896	<b>22.2 C</b>	3094
Alliant Power Pro 1200-R	Federal	Federal 205	19.1	2827	<b>21.1</b>	3078
Alliant Power Pro Varmint	Federal	Federal 205	22.0	2915	<b>23.8</b>	3087

Alliant Reloder 10X	Federal	Federal 205	18.5	2722	<b>20.4</b>	2980
Alliant Reloder 7	Remington	CCI400	19.0	3010	<b>21.0</b>	3237
Hodgdon BL-C(2)	Remington	CCI450	24.0	2992	<b>26.0</b>	3238
Hodgdon CFE 223	Federal	Federal 205	22.4	2845	<b>24.4</b>	3037
Hodgdon H322	Remington	CCI400	21.0	2967	<b>23.0</b>	3225
Hodgdon H335	Remington	CCI450	22.0	2800	<b>24.0</b>	3094
Hodgdon H4198	Remington	CCI400	18.0	2922	<b>20.0</b>	3109
Hodgdon H4895	Remington	CCI400	22.0	2825	<b>24.0 C</b>	3156
IMR 3031	Remington	CCI400	21.0	2959	<b>23.0 C</b>	3199
IMR 4198	Remington	CCI400	18.0	2931	<b>20.0</b>	3135
IMR 4320	Remington	CCI400	24.0	2945	<b>26.0 C</b>	3134
IMR 4895	Remington	CCI400	22.0	2874	<b>24.0 C</b>	3158
Vihtavuori N120	Remington	CCI400	17.0	2808	<b>19.0</b>	3126

C = Compressed Load