

# 222 Remington with 52 gr Match BTHP



**Max Case Length:** 1.700"

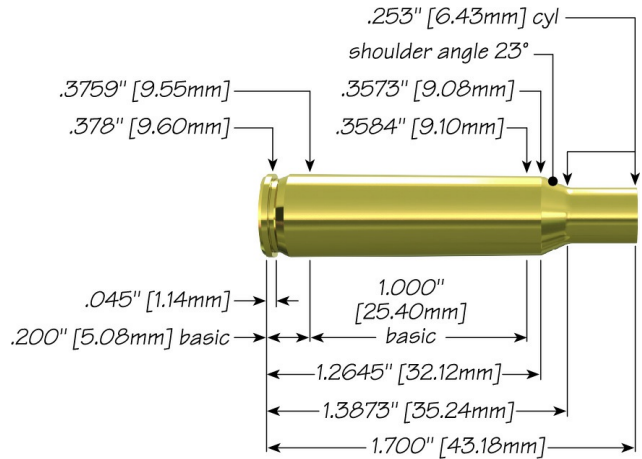
**Trim-to Length:** 1.690"



**Max Cart. OAL:** 2.130"

**RCBS Shell Holder:** # 10

**Test Firearm:** Universal Receiver

**Barrel Length:** 24"



22	Speer Part No.	Weight, grains	COAL Tested	Ballistic Coefficient	Sectional Density
 <b>52 gr HP</b>	1035	52	2.130"	.168	.148
 <b>52 gr Match BTHP</b>	1036	52	2.130"	.230	.148

Propellant	Cartridge Case	Primer	START CHARGE		MAXIMUM CHARGE	
			Grain	Velocity (ft/sec)	Grain	Velocity (ft/sec)
Accurate 2230	Remington	CCI450	21.0	2922	<b>23.0</b>	3109
Accurate 2460	Remington	CCI450	21.5	2930	<b>23.5</b>	3185
Accurate 2520	Remington	CCI450	24.0	3003	<b>26.0 C</b>	3337
Accurate LT-30	Federal	Federal 205	18.6	2790	<b>20.7</b>	3079
Alliant Power Pro 1200-R	Federal	Federal 205	19.4	2846	<b>21.5</b>	3131
Alliant Power Pro Varmint	Federal	Federal 205	22.2	2846	<b>24.7</b>	3162
Alliant Reloder 10X	Federal	Federal 205	19.4	2793	<b>21.6</b>	3088
Alliant Reloder 7	Remington	CCI400	18.0	2835	<b>20.0</b>	3115

Hodgdon BL-C(2)	Remington	CCI450	23.5	2926	<b>25.5</b>	3233
Hodgdon CFE 223	Federal	Federal 205	22.7	2842	<b>25.2</b>	3114
Hodgdon H322	Remington	CCI400	20.5	2979	<b>22.5</b>	3256
Hodgdon H335	Remington	CCI450	21.5	2880	<b>23.5</b>	3064
Hodgdon H4198	Remington	CCI400	17.5	2917	<b>19.5</b>	3087
Hodgdon H4895	Remington	CCI400	22.0	3048	<b>24.0</b>	3277
IMR 3031	Remington	CCI400	21.5	3035	<b>23.5 C</b>	3246
IMR 4198	Remington	CCI400	17.5	2821	<b>19.5</b>	3050
IMR 4895	Remington	CCI400	22.5	3049	<b>24.5 C</b>	3279
Vihtavuori N133	Remington	CCI400	20.5	3077	<b>22.5 C</b>	3326
Winchester 748	Remington	CCI450	22.5	2904	<b>24.5</b>	3106

C = Compressed Load

[speer-ammo.com](http://speer-ammo.com)