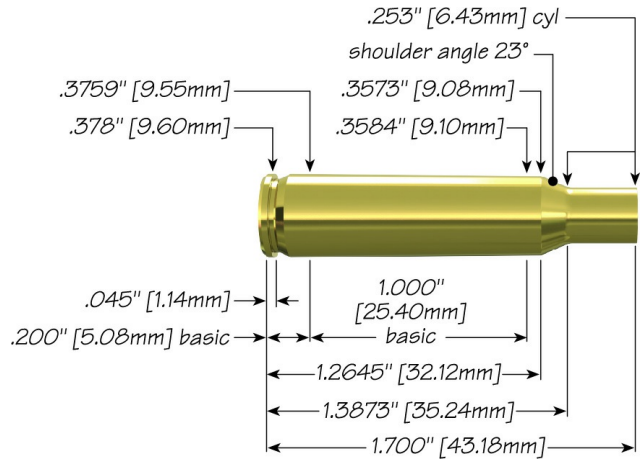




# 222 Remington with 55 gr Spitzer SP



<b>Max Case Length:</b>	1.700"
<b>Trim-to Length:</b>	1.690"
<b>Max Cart. OAL:</b>	2.130"
<b>RCBS Shell Holder:</b>	# 10
<b>Test Firearm:</b>	Universal Receiver
<b>Barrel Length:</b>	24"



22	Speer Part No.	Weight, grains	COAL Tested	Ballistic Coefficient	Sectional Density	
	<b>55 gr Spitzer SP</b>	1047	55	2.130"	.212	.157
	<b>55 gr TNT® HP</b>	1032	55	2.130"	.233	.157

Propellant	Cartridge Case	Primer	START CHARGE		MAXIMUM CHARGE	
			Grain	Velocity (ft/sec)	Grain	Velocity (ft/sec)
Accurate 2460	Remington	CCI450	21.5	2826	<b>23.5</b>	3106
Accurate 2520	Remington	CCI450	24.0	2912	<b>26.0 C</b>	3235
Accurate LT-30	Federal	Federal 205	18.4	2715	<b>20.4</b>	2991
Alliant AR-Comp	Federal	Federal 205	21.4	2881	<b>23.8 C</b>	3155
Alliant Power Pro 1200-R	Federal	Federal 205	19.4	2820	<b>21.5</b>	3058
Alliant Power Pro Varmint	Federal	Federal 205	21.8	2766	<b>24.2</b>	3095
Alliant Reloder 10X	Federal	Federal 205	19.2	2770	<b>21.3</b>	3024
Alliant Reloder 15	Remington	CCI400	22.0	2781	<b>24.0 C</b>	2990

Alliant Reloder 7	Remington	CCI400	18.0	2832	<b>20.0</b>	3045
Hodgdon BL-C(2)	Remington	CCI450	23.0	2780	<b>25.0</b>	3072
Hodgdon CFE 223	Federal	Federal 205	22.3	2763	<b>24.8</b>	3065
Hodgdon H322	Remington	CCI400	20.5	2909	<b>22.5</b>	3145
Hodgdon H4198	Remington	CCI400	17.5	2794	<b>19.5</b>	2974
Hodgdon H4895	Remington	CCI400	22.0	2906	<b>24.0 C</b>	3159
IMR 3031	Remington	CCI400	21.0	2836	<b>23.0 C</b>	3083
IMR 4064	Remington	CCI400	21.5	2775	<b>23.5 C</b>	3033
IMR 4198	Remington	CCI400	17.5	2804	<b>19.5</b>	2999
IMR 4320	Remington	CCI400	23.0	2794	<b>25.0 C</b>	3020
IMR 4895	Remington	CCI400	22.0	2969	<b>24.0 C</b>	3142
IMR SR 4759 (Reduced Load)	Remington	CCI400	9.0	1866	<b>10.0</b>	2070
Vihtavuori N133	Remington	CCI400	20.0	2866	<b>22.0</b>	3132
Winchester 748	Remington	CCI450	22.5	2838	<b>24.5</b>	3035

C = Compressed Load