

223 Remington with 50 gr TNT Green®



Max Case Length: 1.760"

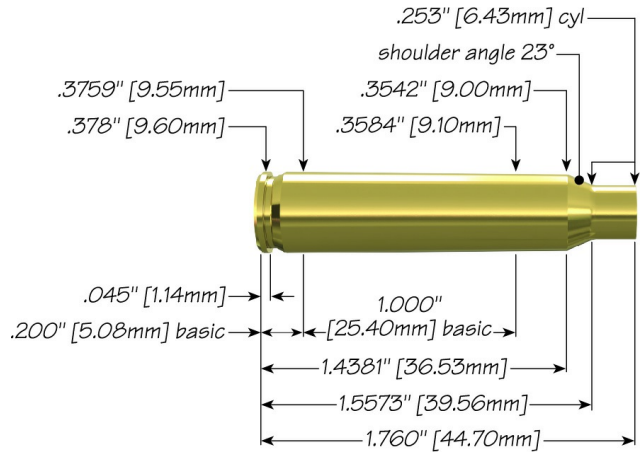
Trim-to Length: 1.750"

Max Cart. OAL: 2.260"

RCBS Shell Holder: # 10

Test Firearm: Universal Receiver

Barrel Length: 24"



22	Speer Part No.	Weight, grains	COAL Tested	Ballistic Coefficient	Sectional Density
----	----------------	----------------	-------------	-----------------------	-------------------



50 gr TNT Green® 1028 50 2.150" .190 .142

Propellant	Cartridge Case	Primer	START CHARGE		MAXIMUM CHARGE	
			Grain	Velocity (ft/sec)	Grain	Velocity (ft/sec)
Alliant Reloder 10X	Federal	Federal 205	20.0	3002	22.0	3245
Hodgdon Varget	Federal	Federal 205	24.5	3115	26.5 C	3322
IMR 4895	Federal	Federal 205	23.5	2908	25.5 C	3169
Ramshot TAC	Federal	Federal 205	23.0	3070	25.0	3295
Vihtavuori N540	Federal	Federal 205	23.5	2970	25.5	3218
Winchester 748	Federal	Federal 205	24.0	3114	26.0 C	3308

C = Compressed Load