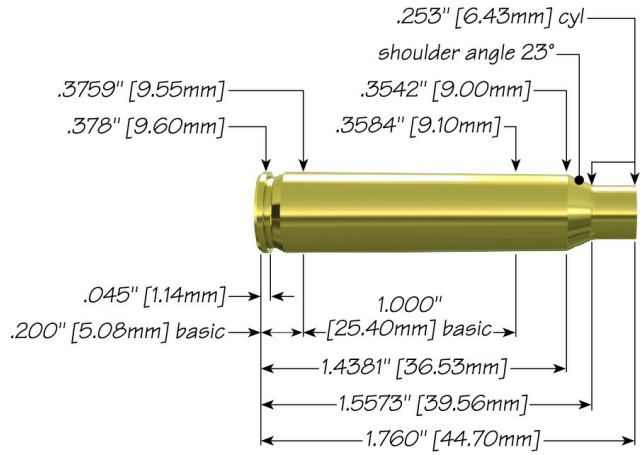




223 Remington with 50 gr TNT® HP



Max Case Length:	1.760"
Trim-to Length:	1.750"
Max Cart. OAL:	2.260"
RCBS Shell Holder:	# 10
Test Firearm:	Universal Receiver
Barrel Length:	24"



22	Speer Part No.	Weight, grains	COAL Tested	Ballistic Coefficient	Sectional Density	
	50 gr Spitzer SP	1029	50	2.185"	.207	.142
	50 gr TNT® HP	1030	50	2.235"	.228	.142

Propellant	Cartridge Case	Primer	START CHARGE		MAXIMUM CHARGE	
			Grain	Velocity (ft/sec)	Grain	Velocity (ft/sec)
Accurate 2015	IMI	CCI 400	22.5	2993	24.5	3320
Accurate 2230	IMI	CCI 400	23.0	2885	25.0	3187
Accurate 2520	IMI	CCI 450	26.0	3229	28.0 C	3385
Accurate 5744 (reduced load)	IMI	CCI 400	11.0	1912	12.0	2058
Alliant AR-Comp	Federal	Federal 205	25.0	3246	27.8 C	3523
Alliant Power Pro 1200-R	Federal	Federal 205	21.8	3120	24.2	3390
Alliant Power Pro Varmint	Federal	Federal 205	24.9	3144	27.7	3466
Alliant Reloder 10X	IMI	CCI 400	21.5	3041	23.5	3322

Alliant Reloder 15	Federal	Federal 205	26.1	3106	29.0 C	3436
Hodgdon BL-C(2)	IMI	CCI450	25.5	3004	27.5	3252
Hodgdon H322	IMI	CCI400	24.0	3045	26.0	3356
Hodgdon H335	IMI	CCI450	25.0	3018	27.0	3316
Hodgdon H4198	IMI	CCI400	20.0	2888	22.0	3229
Hodgdon H4895	IMI	CCI400	23.5	2910	25.5 C	3255
Hodgdon Varget	IMI	CCI400	25.5	3079	27.5 C	3372
IMR 3031	IMI	CCI400	24.0	3012	26.0 C	3339
IMR 4895	IMI	CCI400	25.0	3073	27.0 C	3369
IMR 8208 XBR	Federal	Federal 205	24.6	3130	27.3	3471
Vihtavuori N133	IMI	CCI400	22.0	2939	24.0	3290
Vihtavuori N135	Federal	Federal 205	23.8	3169	26.1	3398
Winchester 748	IMI	CCI450	26.5	3130	28.5 C	3458

C = Compressed Load