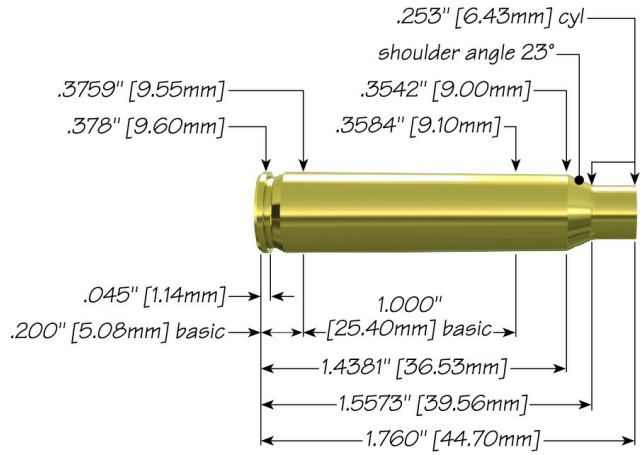




223 Remington with 52 gr HP



Max Case Length:	1.760"
Trim-to Length:	1.750"
Max Cart. OAL:	2.260"
RCBS Shell Holder:	# 10
Test Firearm:	Universal Receiver
Barrel Length:	24"



22	Speer Part No.	Weight, grains	COAL Tested	Ballistic Coefficient	Sectional Density	
	52 gr HP	1035	52	2.200"	.168	.148
	52 gr Match BTHP	1036	52	2.200"	.230	.148

Propellant	Cartridge Case	Primer	START CHARGE		MAXIMUM CHARGE	
			Grain	Velocity (ft/sec)	Grain	Velocity (ft/sec)
Accurate 2460	IMI	CCI 450	23.0	2785	25.0	3102
Accurate 5744 (reduced load)	IMI	CCI 400	11.0	1906	12.0	2047
Alliant AR-Comp	Federal	Federal 205	24.0	3179	26.2 C	3385
Alliant Power Pro 1200-R	Federal	Federal 205	20.8	2996	23.1	3267
Alliant Power Pro Varmint	Federal	Federal 205	23.9	3026	26.5	3350
Alliant Reloder 10X	IMI	CCI 400	20.5	2955	22.5	3230
Alliant Reloder 15	Federal	Federal 205	24.8	3021	27.6 C	3322
Alliant Reloder 7	IMI	CCI 400	18.5	2639	20.5	2972

Hodgdon BL-C(2)	IMI	CCI450	25.0	2728	27.0	3108
Hodgdon H322	IMI	CCI400	22.5	2859	24.5	3149
Hodgdon H335	IMI	CCI450	24.5	2919	26.5	3178
Hodgdon H4895	IMI	CCI400	23.5	2902	25.5 C	3196
Hodgdon Varget	IMI	CCI400	25.0	3039	27.0 C	3331
IMR 3031	IMI	CCI400	24.0	2915	26.0 C	3247
IMR 4064	IMI	CCI400	24.0	2878	26.0 C	3134
IMR 4895	IMI	CCI400	24.5	2888	26.5 C	3254
IMR 8208 XBR	Federal	Federal 205	23.5	3078	26.1	3353
Vihtavuori N133	IMI	CCI400	22.0	2864	24.0	3226
Vihtavuori N135	Federal	Federal 205	22.8	3054	24.9 C	3276
Winchester 748	IMI	CCI450	26.0	3187	28.0 C	3510

C = Compressed Load