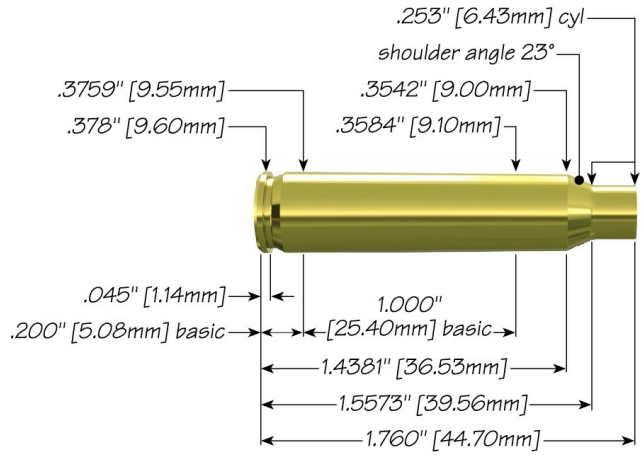




# 223 Remington with 55 gr Gold-Dot®



<b>Max Case Length:</b>	1.760"
<b>Trim-to Length:</b>	1.750"
<b>Max Cart. OAL:</b>	2.260"
<b>RCBS Shell Holder:</b>	# 10
<b>Test Firearm:</b>	Universal Receiver
<b>Barrel Length:</b>	24"



22		Speer Part No.	Weight, grains	COAL Tested	Ballistic Coefficient	Sectional Density
	<b>55 gr Gold-Dot®</b>	22455GDB	55	2.230"	0.250	0.157
	<b>55 gr TMJ®</b>	22455TMJ	55	2.230"	0.250	0.157

Propellant	Cartridge Case	Primer	START CHARGE		MAXIMUM CHARGE	
			Grain	Velocity (ft/sec)	Grain	Velocity (ft/sec)
Accurate LT-32	Federal	Federal 205	18.8	2834	<b>20.9</b>	3060
Alliant AR-Comp	Federal	Federal 205	21.7	2991	<b>24.1</b>	3220
Alliant Power Pro 1200-R	Federal	Federal 205	20.3	2923	<b>22.6</b>	3192
Alliant Power Pro 2000-MR	Federal	Federal 205	26.1	3134	<b>29.0 C</b>	3392
Alliant Power Pro Varmint	Federal	Federal 205	22.6	2977	<b>25.1</b>	3259
Alliant Reloder 10X	Federal	Federal 205	20.3	2897	<b>22.6</b>	3163
Alliant Reloder 15	Federal	Federal 205	23.6	2979	<b>26.2 C</b>	3232
Hodgdon CFE 223	Federal	Federal 205	24.5	3048	<b>27.2</b>	3328

Hodgdon H335	Federal	Federal 205	21.1	2936	<b>23.4</b>	3150
Hodgdon Varget	Federal	Federal 205	23.9	2984	<b>26.5 C</b>	3259
IMR 4895	Federal	Federal 205	23.2	2878	<b>25.8 C</b>	3224
IMR 8208 XBR	Federal	Federal 205	22.3	2964	<b>24.8</b>	3259
Ramshot X-Terminator	Federal	Federal 205	22.5	2992	<b>24.9</b>	3262
Vihtavuori N135	Federal	Federal 205	20.6	2885	<b>22.9</b>	3132

C = Compressed Load

[speer-ammo.com](http://speer-ammo.com)