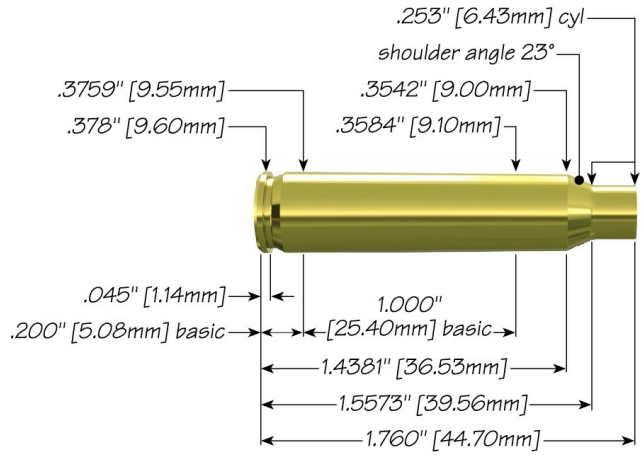



# 223 Remington with 62 gr Gold-Dot®



<b>Max Case Length:</b>	1.760"
<b>Trim-to Length:</b>	1.750"
<b>Max Cart. OAL:</b>	2.260"
<b>RCBS Shell Holder:</b>	# 10
<b>Test Firearm:</b>	Universal Receiver
<b>Barrel Length:</b>	24"



22	Speer Part No.	Weight, grains	COAL Tested	Ballistic Coefficient	Sectional Density
	<b>62 gr Gold-Dot®</b> 22462GDB	62	2.230"	.310	.177

Propellant	Cartridge Case	Primer	START CHARGE		MAXIMUM CHARGE	
			Grain	Velocity (ft/sec)	Grain	Velocity (ft/sec)
Accurate 2460	Federal	Federal 205	22.3	2815	<b>24.8</b>	3069
Alliant AR-Comp	Federal	Federal 205	20.7	2816	<b>23.0</b>	3029
Alliant Power Pro 2000-MR	Federal	Federal 205	24.8	2950	<b>27.6 C</b>	3208
Alliant Power Pro Varmint	Federal	Federal 205	21.9	2854	<b>24.3</b>	3075
Alliant Reloder 15	Federal	Federal 205	22.5	2788	<b>25.0 C</b>	3046
Hodgdon CFE 223	Federal	Federal 205	23.4	2889	<b>26.0</b>	3141
Hodgdon H335	Federal	Federal 205	20.2	2760	<b>22.4</b>	2971
Hodgdon Varget	Federal	Federal 205	22.4	2801	<b>24.9 C</b>	3064
IMR 4895	Federal	Federal 205	22.3	2759	<b>24.8 C</b>	3064

IMR 8208 XBR	Federal	Federal 205	21.3	2811	<b>23.7</b>	3064
Ramshot X-Terminator	Federal	Federal 205	21.7	2838	<b>23.9</b>	3070
Vihtavuori N540	Federal	Federal 205	22.3	2735	<b>24.8</b>	3009

C = Compressed Load

[speer-ammo.com](http://speer-ammo.com)