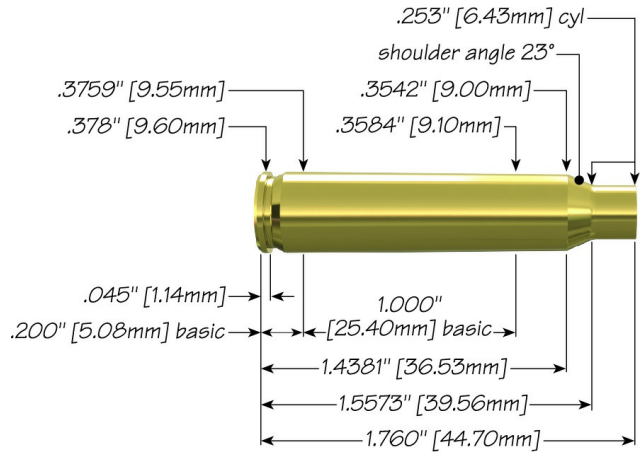



223 Remington with 70 gr Semi-Spitzer SP



Max Case Length:	1.760"
Trim-to Length:	1.750"
Max Cart. OAL:	2.260"
RCBS Shell Holder:	# 10
Test Firearm:	Universal Receiver
Barrel Length:	24"



22	Speer Part No.	Weight, grains	COAL Tested	Ballistic Coefficient	Sectional Density
	70 gr Semi-Spitzer SP 1053	70	2.140"	.219	.199

Propellant	Cartridge Case	Primer	START CHARGE		MAXIMUM CHARGE	
			Grain	Velocity (ft/sec)	Grain	Velocity (ft/sec)
Accurate 2015	IMI	CCI 400	18.0	2348	20.0	2583
Accurate 2230	IMI	CCI 400	21.0	2489	23.0	2749
Accurate 2460	IMI	CCI 450	21.5	2526	23.5	2814
Alliant AR-Comp	Federal	Federal 205	20.0	2679	21.9	2834
Alliant Power Pro 2000-MR	Federal	Federal 205	25.0	2775	27.1	2982
Alliant Power Pro Varmint	Federal	Federal 205	21.0	2632	23.2	2872
Alliant Reloder 15	Federal	Federal 205	22.5	2708	24.1 C	2871
Hodgdon BL-C(2)	IMI	CCI 450	21.5	2474	23.5	2648
Hodgdon H335	IMI	CCI 450	22.5	2621	24.5	2849

Hodgdon H380	IMI	CCI450	26.0	2560	28.0	2733
Hodgdon H414	IMI	CCI450	26.0	2690	28.0	2923
Hodgdon Varget	Federal	Federal 205	22.4	2659	24.8 C	2901
IMR 4320	IMI	CCI400	22.5	2474	24.5	2675
IMR 4895	IMI	CCI400	22.5	2658	24.5 C	2864
Vihtavuori N135	IMI	CCI400	20.5	2449	22.5	2693
Winchester 748	IMI	CCI450	25.0	2862	27.0	3115

C = Compressed Load

speer-ammo.com