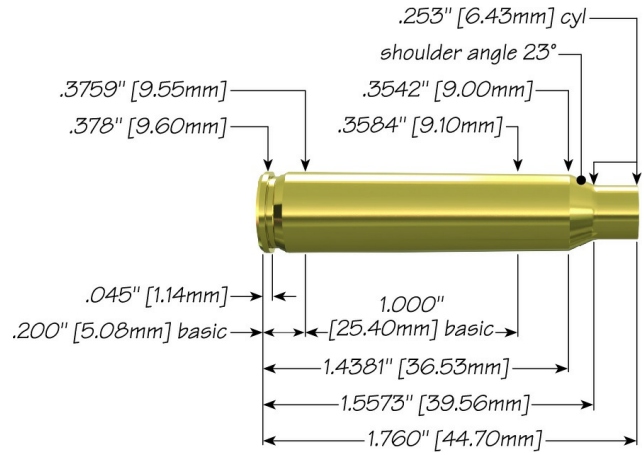




# 223 Remington with 75 gr Gold-D0t®



<b>Max Case Length:</b>	1.760"
<b>Trim-to Length:</b>	1.750"
<b>Max Cart. OAL:</b>	2.260"
<b>RCBS Shell Holder:</b>	# 10
<b>Test Firearm:</b>	Universal Receiver
<b>Barrel Length:</b>	24"



22	Speer Part No.	Weight, grains	COAL Tested	Ballistic Coefficient	Sectional Density	
	<b>75 gr Gold-D0t®</b>	22475GDB	75	2.230"	.411	.213
	<b>75 gr TMJ®</b>	22475TMJ	75	2.230"	.411	.213

Propellant	Cartridge Case	Primer	START CHARGE		MAXIMUM CHARGE	
			Grain	Velocity (ft/sec)	Grain	Velocity (ft/sec)
Accurate 2460	Federal	Federal 205	20.9	2514	<b>23.2</b>	2746
Alliant AR-Comp	Federal	Federal 205	18.7	2461	<b>20.8</b>	2660
Alliant Power Pro 2000-MR	Federal	Federal 205	23.5	2655	<b>26.1 C</b>	2897
Alliant Power Pro Varmint	Federal	Federal 205	20.7	2523	<b>23.0</b>	2756
Alliant Reloder 15	Federal	Federal 205	21.2	2514	<b>23.5 C</b>	2751
Hodgdon CFE 223	Federal	Federal 205	21.6	2543	<b>24.0</b>	2781
Hodgdon H335	Federal	Federal 205	18.9	2461	<b>21.0</b>	2638
Hodgdon Varget	Federal	Federal 205	20.8	2505	<b>23.1 C</b>	2730

IMR 4895	Federal	Federal 205	21.2	2508	<b>23.5 C</b>	2766
IMR 8208 XBR	Federal	Federal 205	19.9	2498	<b>22.1</b>	2723
Ramshot X-Terminator	Federal	Federal 205	20.6	2535	<b>22.9</b>	2757
Vihtavuori N540	Federal	Federal 205	21.2	2462	<b>23.5 C</b>	2724

C = Compressed Load

[speer-ammo.com](http://speer-ammo.com)