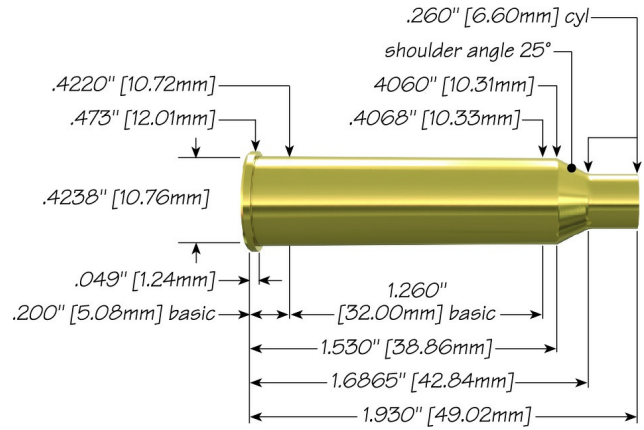



# 225 Winchester with 40 gr Spire SP



<b>Max Case Length:</b>	1.930"
<b>Trim-to Length:</b>	1.920"
<b>Max Cart. OAL:</b>	2.500"
<b>RCBS Shell Holder:</b>	# 11
<b>Test Firearm:</b>	Universal Receiver
<b>Barrel Length:</b>	24"



22	Speer Part No.	Weight, grains	COAL Tested	Ballistic Coefficient	Sectional Density	
	<b>40 gr Spire SP</b>	1017	40	2.370"	.144	.114

Propellant	Cartridge Case	Primer	START CHARGE		MAXIMUM CHARGE	
			Grain	Velocity (ft/sec)	Grain	Velocity (ft/sec)
Hodgdon H322	Winchester	CCI 200	27.5	3214	<b>31.5</b>	3683
Hodgdon H335	Winchester	CCI 250	27.5	3078	<b>31.5</b>	3496
Hodgdon H380	Winchester	CCI 250	34.0	3351	<b>38.0 C</b>	3717
IMR 3031	Winchester	CCI 200	28.5	3391	<b>32.5</b>	3815
IMR 4064	Winchester	CCI 200	30.5	3344	<b>34.5</b>	3791
IMR 4350	Winchester	CCI 200	33.0	3273	<b>37.0 C</b>	3614
IMR SR 4759 (Reduced Load)	Winchester	CCI 200	8.0	1560	<b>10.0</b>	1967
Winchester 748	Winchester	CCI 250	31.0	3310	<b>35.0</b>	3711
Winchester 760	Winchester	CCI 250	34.0	3331	<b>38.0 C</b>	3682

C = Compressed Load

[speers-ammo.com](http://speers-ammo.com)