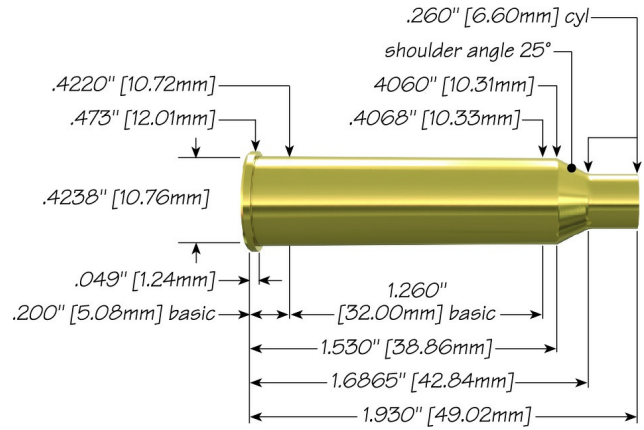


# 225 Winchester with 45 gr Spitzer SP



<b>Max Case Length:</b>	1.930"
<b>Trim-to Length:</b>	1.920"
<b>Max Cart. OAL:</b>	2.500"
<b>RCBS Shell Holder:</b>	# 11
<b>Test Firearm:</b>	Universal Receiver
<b>Barrel Length:</b>	24"



22	Speer Part No.	Weight, grains	COAL Tested	Ballistic Coefficient	Sectional Density
----	----------------	----------------	-------------	-----------------------	-------------------



**45 gr Spitzer SP**

1023

45

2.240"

.143

.128

Propellant	Cartridge Case	Primer	START CHARGE		MAXIMUM CHARGE	
			Grain	Velocity (ft/sec)	Grain	Velocity (ft/sec)
Hodgdon H322	Winchester	CCI 200	27.0	3163	<b>31.0</b>	3609
Hodgdon H335	Winchester	CCI 250	27.0	3011	<b>31.0</b>	3452
Hodgdon H380	Winchester	CCI 250	34.0	3181	<b>38.0 C</b>	3588
IMR 3031	Winchester	CCI 200	28.0	3176	<b>32.0</b>	3650
IMR 4064	Winchester	CCI 200	30.0	3284	<b>34.0</b>	3737
IMR 4350	Winchester	CCI 200	33.0	3164	<b>37.0 C</b>	3535
IMR SR 4759 (Reduced Load)	Winchester	CCI 200	9.0	1659	<b>11.0</b>	2039
Winchester 748	Winchester	CCI 250	31.0	3237	<b>35.0</b>	3666
Winchester 760	Winchester	CCI 250	34.0	3244	<b>38.0 C</b>	3639

C = Compressed Load

[speer-ammo.com](http://speer-ammo.com)