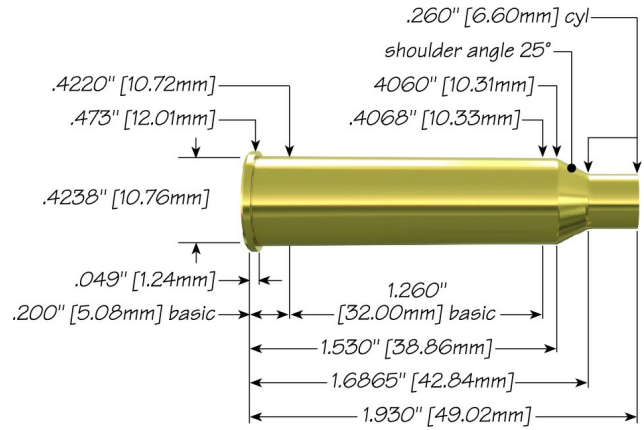




# 225 Winchester with 50 gr Spitzer SP



<b>Max Case Length:</b>	1.930"
<b>Trim-to Length:</b>	1.920"
<b>Max Cart. OAL:</b>	2.500"
<b>RCBS Shell Holder:</b>	# 11
<b>Test Firearm:</b>	Universal Receiver
<b>Barrel Length:</b>	24"



22		Speer Part No.	Weight, grains	COAL Tested	Ballistic Coefficient	Sectional Density
	<b>50 gr Spitzer SP</b>	1029	50	2.460"	.207	.142
	<b>50 gr TNT® HP</b>	1030	50	2.480"	.228	.142

Propellant	Cartridge Case	Primer	START CHARGE		MAXIMUM CHARGE	
			Grain	Velocity (ft/sec)	Grain	Velocity (ft/sec)
Hodgdon H322	Winchester	CCI 200	26.5	3138	<b>30.5</b>	3507
Hodgdon H380	Winchester	CCI 250	32.0	3093	<b>36.0</b>	3440
Hodgdon H414	Winchester	CCI 250	33.0	3159	<b>37.0</b>	3545
IMR 3031	Winchester	CCI 200	27.5	3030	<b>31.5</b>	3446
IMR 4064	Winchester	CCI 200	29.5	3202	<b>33.5</b>	3641
IMR 4350	Winchester	CCI 200	32.5	3150	<b>36.5 C</b>	3526
IMR SR 4759 (Reduced Load)	Winchester	CCI 200	9.5	1679	<b>11.5</b>	2027
Winchester 748	Winchester	CCI 250	30.5	3224	<b>34.5</b>	3615

Winchester 760

Winchester

CCI 250 33.0 3183

**37.0** 3557

C = Compressed Load

[speer-ammo.com](http://speer-ammo.com)