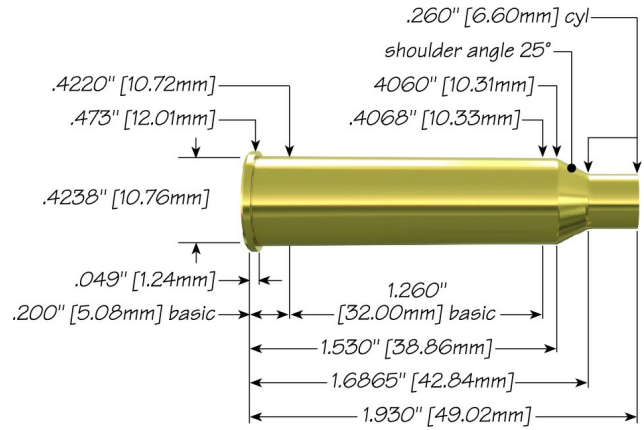




225 Winchester with 52 gr HP



Max Case Length:	1.930"
Trim-to Length:	1.920"
Max Cart. OAL:	2.500"
RCBS Shell Holder:	# 11
Test Firearm:	Universal Receiver
Barrel Length:	24"



22		Speer Part No.	Weight, grains	COAL Tested	Ballistic Coefficient	Sectional Density
	52 gr HP	1035	52	2.500"	.168	.148
	52 gr Match BTHP	1036	52	2.500"	.230	.148

Propellant	Cartridge Case	Primer	START CHARGE		MAXIMUM CHARGE	
			Grain	Velocity (ft/sec)	Grain	Velocity (ft/sec)
Hodgdon H322	Winchester	CCI 200	26.5	3018	30.5	3445
Hodgdon H380	Winchester	CCI 250	31.5	3096	35.5	3502
Hodgdon H414	Winchester	CCI 250	32.0	3047	36.0	3410
IMR 3031	Winchester	CCI 200	27.0	3059	31.0	3524
IMR 4064	Winchester	CCI 200	29.0	3134	33.0	3551
IMR 4350	Winchester	CCI 200	32.5	3122	36.5 C	3519
IMR 4895	Winchester	CCI 200	27.0	2915	31.0	3362
Winchester 748	Winchester	CCI 250	30.0	3075	34.0	3533

Winchester 760

Winchester

CCI250 33.0 3170

37.0 C 3571

C = Compressed Load

speer-ammo.com