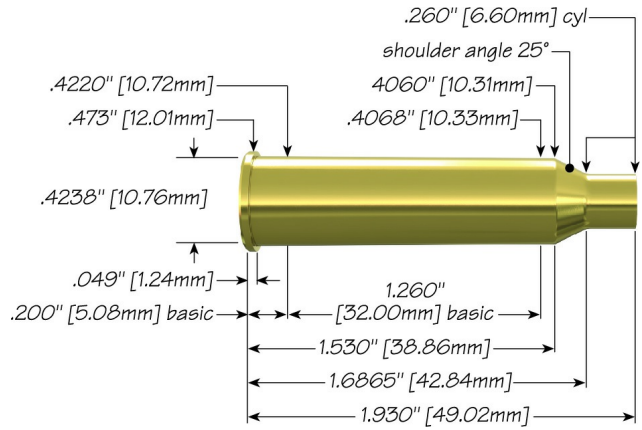




# 225 Winchester with 55 grSpitzer SP



<b>Max Case Length:</b>	1.930"
<b>Trim-to Length:</b>	1.920"
<b>Max Cart. OAL:</b>	2.500"
<b>RCBS Shell Holder:</b>	# 11
<b>Test Firearm:</b>	Universal Receiver
<b>Barrel Length:</b>	24"



22		Speer Part No.	Weight, grains	COAL Tested	Ballistic Coefficient	Sectional Density
	<b>55 grSpitzer SP</b>	1047	55	2.500"	.212	.157
	<b>55 gr TNT® HP</b>	1032	55	2.500"	.233	.157

Propellant	Cartridge Case	Primer	START CHARGE		MAXIMUM CHARGE	
			Grain	Velocity (ft/sec)	Grain	Velocity (ft/sec)
Hodgdon H322	Winchester	CCI 200	26.0	2888	<b>30.0</b>	3318
Hodgdon H380	Winchester	CCI 250	31.0	3023	<b>35.0</b>	3414
Hodgdon H414	Winchester	CCI 250	31.0	2926	<b>35.0</b>	3279
IMR 4064	Winchester	CCI 200	28.5	3095	<b>32.5</b>	3503
IMR 4350	Winchester	CCI 200	32.0	3027	<b>36.0 C</b>	3397
IMR 4895	Winchester	CCI 200	26.5	2833	<b>30.5</b>	3251
IMR SR 4759 (Reduced Load)	Winchester	CCI 200	10.0	1679	<b>12.0</b>	2009
Winchester 748	Winchester	CCI 250	29.5	3036	<b>33.5</b>	3424

Winchester 760

Winchester

CCI 250 32.0 3003

**36.0** 3359

C = Compressed Load

[speer-ammo.com](http://speer-ammo.com)