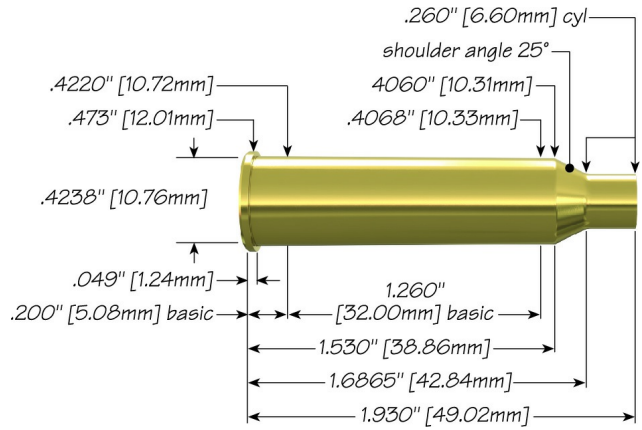



225 Winchester with 70 gr Semi-Spitzer SP



Max Case Length: 1.930"
Trim-to Length: 1.920"
Max Cart. OAL: 2.500"
RCBS Shell Holder: # 11
Test Firearm: Universal Receiver
Barrel Length: 24"



22	Speer Part No.	Weight, grains	COAL Tested	Ballistic Coefficient	Sectional Density
	70 gr Semi-Spitzer SP 1053	70	2.310"	.219	.199

Propellant	Cartridge Case	Primer	START CHARGE		MAXIMUM CHARGE	
			Grain	Velocity (ft/sec)	Grain	Velocity (ft/sec)
Hodgdon H380	Winchester	CCI 250	28.0	2590	32.0	2983
Hodgdon H414	Winchester	CCI 250	30.0	2740	34.0	3092
IMR 3031	Winchester	CCI 200	24.0	2596	28.0	2938
IMR 4064	Winchester	CCI 200	26.0	2585	30.0	2980
IMR 4350	Winchester	CCI 200	30.5	2743	34.5	3064
IMR 4831	Winchester	CCI 200	32.0	2772	36.0 C	3094
IMR 4895	Winchester	CCI 200	24.5	2543	28.5	2988
IMR SR 4759 (Reduced Load)	Winchester	CCI 200	12.0	1719	14.0	1988
Winchester 760	Winchester	CCI 250	32.0	2740	36.0	3162

C = Compressed Load

speer-ammo.com