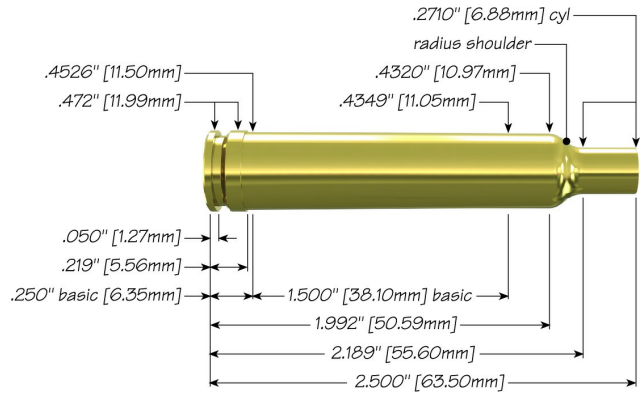



240 Weatherby Magnum with 100 gr Spitzer BTSP



Max Case Length: 2.500"
Trim-to Length: 2.490"
Max Cart. OAL: 3.100"
RCBS Shell Holder: # 3
Test Firearm: Universal Receiver
Barrel Length: 24"



6mm	Speer Part No.	Weight, grains	COAL Tested	Ballistic Coefficient	Sectional Density
 100 gr Spitzer BTSP	1220	100	3.060"	.446	.242

Propellant	Cartridge Case	Primer	START CHARGE		MAXIMUM CHARGE	
			Grain	Velocity (ft/sec)	Grain	Velocity (ft/sec)
Hodgdon H380	Weatherby	CCI 250	41.0	2601	45.0	2901
Hodgdon H414	Weatherby	CCI 250	46.0	2897	50.0	3167
IMR 4064	Weatherby	CCI 250	38.0	2714	42.0	2977
IMR 4350	Weatherby	CCI 250	43.5	2768	47.5	3007
IMR 4831	Weatherby	CCI 250	45.5	2915	49.5 C	3154
Winchester 760	Weatherby	CCI 250	45.0	2922	49.0	3209

C = Compressed Load