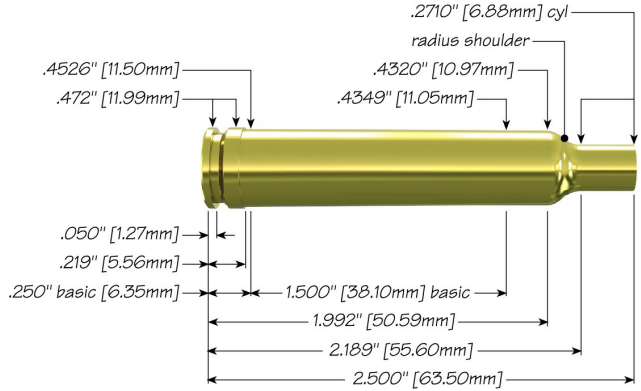



240 Weatherby Magnum with 75 gr HP



Max Case Length: 2.500"
Trim-to Length: 2.490"
Max Cart. OAL: 3.100"
RCBS Shell Holder: # 3
Test Firearm: Universal Receiver
Barrel Length: 24"



6mm	Speer Part No.	Weight, grains	COAL Tested	Ballistic Coefficient	Sectional Density
 75 gr HP	1205	75	3.060"	.192	.181

Propellant	Cartridge Case	Primer	START CHARGE		MAXIMUM CHARGE	
			Grain	Velocity (ft/sec)	Grain	Velocity (ft/sec)
Hodgdon H380	Weatherby	CCI 250	45.0	3094	49.0	3429
Hodgdon H414	Weatherby	CCI 250	52.0	3447	56.0	3734
IMR 4064	Weatherby	CCI 250	42.0	3126	46.0	3481
IMR 4350	Weatherby	CCI 250	49.0	3334	53.0	3583
IMR 4831	Weatherby	CCI 250	51.0	3322	55.0 C	3620
Winchester 760	Weatherby	CCI 250	47.5	3281	51.5	3602

C = Compressed Load