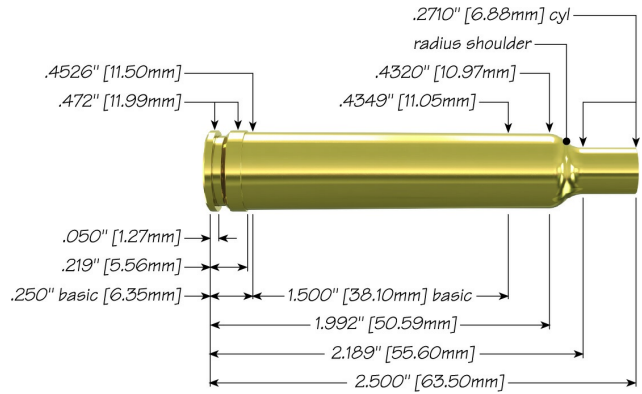



240 Weatherby Magnum with 90 gr Spitzer SP Hot- Cor®



Max Case Length:	2.500"
Trim-to Length:	2.490"
Max Cart. OAL:	3.100"
RCBS Shell Holder:	# 3
Test Firearm:	Universal Receiver
Barrel Length:	24"



6mm	Speer Part No.	Weight, grains	COAL Tested	Ballistic Coefficient	Sectional Density	
	90 gr Spitzer SP Hot-Cor®	1217	90	3.060"	.365	.218

Propellant	Cartridge Case	Primer	START CHARGE		MAXIMUM CHARGE	
			Grain	Velocity (ft/sec)	Grain	Velocity (ft/sec)
Hodgdon H380	Weatherby	CCI 250	43.0	2813	47.0	3107
Hodgdon H414	Weatherby	CCI 250	48.0	3057	52.0	3367
IMR 4064	Weatherby	CCI 250	40.0	2854	44.0	3098
IMR 4350	Weatherby	CCI 250	46.5	3059	50.5	3304
IMR 4831	Weatherby	CCI 250	48.0	3176	52.0 C	3420
Winchester 760	Weatherby	CCI 250	46.0	2992	50.0	3302

C = Compressed Load

