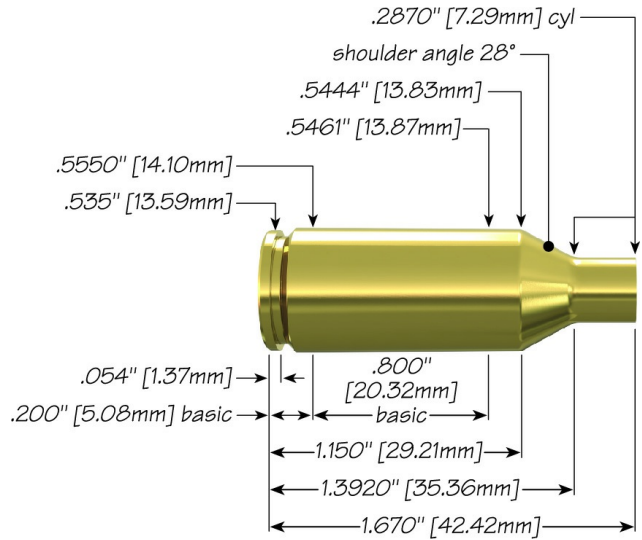



# 243 Winchester Super Short Magnum with 70 gr TNT® HP



<b>Max Case Length:</b>	1.670"
<b>Trim-to Length:</b>	1.660"
<b>Max Cart. OAL:</b>	2.360"
<b>RCBS Shell Holder:</b>	# 43
<b>Test Firearm:</b>	Universal Receiver
<b>Barrel Length:</b>	24"



6mm	Speer Part No.	Weight, grains	COAL Tested	Ballistic Coefficient	Sectional Density	
	<b>70 gr TNT® HP</b>	1206	70	2.250"	.279	.181

Propellant	Cartridge Case	Primer	START CHARGE		MAXIMUM CHARGE	
			Grain	Velocity (ft/sec)	Grain	Velocity (ft/sec)
Accurate 4064	Winchester	Federal 210	37.5	3214	<b>39.5</b>	3341
Accurate 4350	Winchester	Federal 210	45.0	3262	<b>47.0 C</b>	3404
Alliant Reloder 15	Winchester	Federal 210	39.0	3350	<b>41.0</b>	3478
Alliant Reloder 19	Winchester	Federal 210	47.5	3337	<b>49.5 C</b>	3464
Hodgdon H414	Winchester	Federal 215	45.0	3417	<b>47.0</b>	3547
Hodgdon Varget	Winchester	Federal 210	39.0	3347	<b>41.0</b>	3456
IMR 4350	Winchester	Federal 210	44.5	3358	<b>46.5</b>	3483
IMR 4895	Winchester	Federal 210	38.5	3333	<b>40.5</b>	3461

Ramshot Big Game	Winchester	Federal 215	43.0	3339	<b>45.0</b>	3454
Vihtavuori N540	Winchester	Federal 210	40.0	3367	<b>42.0</b>	3484
Winchester 760	Winchester	Federal 215	45.5	3409	<b>47.5</b>	3531

C = Compressed Load

[speer-ammo.com](http://speer-ammo.com)