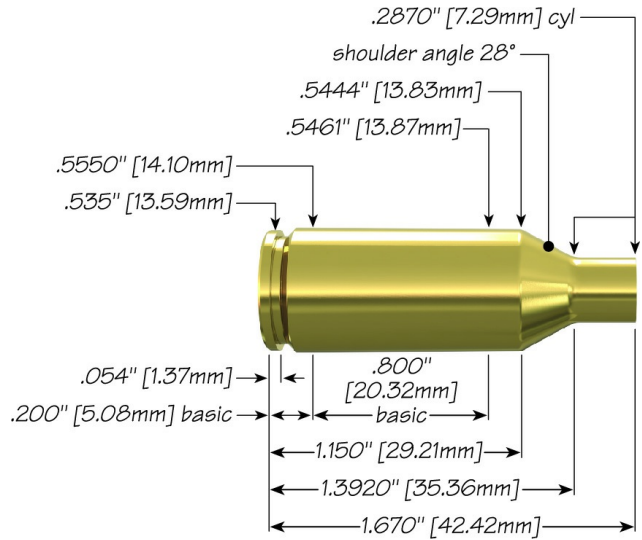



243 Winchester Super Short Magnum with 75 gr HP



| | |
|---------------------------|--------------------|
| Max Case Length: | 1.670" |
| Trim-to Length: | 1.660" |
| Max Cart. OAL: | 2.360" |
| RCBS Shell Holder: | # 43 |
| Test Firearm: | Universal Receiver |
| Barrel Length: | 24" |



| 6mm | Speer Part No. | Weight, grains | COAL Tested | Ballistic Coefficient | Sectional Density |
|---|----------------|----------------|-------------|-----------------------|-------------------|
|  75 gr HP | 1205 | 75 | 2.185" | .192 | .181 |

| Propellant | Cartridge Case | Primer | START CHARGE | | MAXIMUM CHARGE | |
|--------------------|----------------|-------------|--------------|-------------------|----------------|-------------------|
| | | | Grain | Velocity (ft/sec) | Grain | Velocity (ft/sec) |
| Accurate 4064 | Winchester | Federal 210 | 37.5 | 3214 | 39.5 | 3341 |
| Accurate 4350 | Winchester | Federal 210 | 45.0 | 3262 | 47.0 C | 3404 |
| Alliant Reloder 15 | Winchester | Federal 210 | 39.0 | 3350 | 41.0 | 3478 |
| Alliant Reloder 19 | Winchester | Federal 210 | 47.5 | 3337 | 49.5 C | 3464 |
| Hodgdon H414 | Winchester | Federal 215 | 45.0 | 3417 | 47.0 | 3547 |
| Hodgdon Varget | Winchester | Federal 210 | 39.0 | 3347 | 41.0 | 3456 |
| IMR 4350 | Winchester | Federal 210 | 44.5 | 3358 | 46.5 | 3483 |
| IMR 4895 | Winchester | Federal 210 | 38.5 | 3333 | 40.5 | 3461 |

| | | | | | | |
|------------------|------------|-------------|------|------|-------------|------|
| Ramshot Big Game | Winchester | Federal 215 | 43.0 | 3339 | 45.0 | 3454 |
| Vihtavuori N540 | Winchester | Federal 210 | 40.0 | 3367 | 42.0 | 3484 |
| Winchester 760 | Winchester | Federal 215 | 45.5 | 3409 | 47.5 | 3531 |

C = Compressed Load

speer-ammo.com