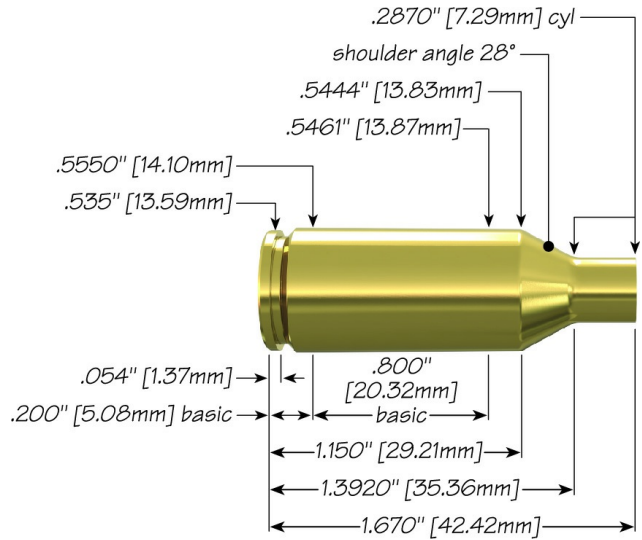



# 243 Winchester Super Short Magnum with 85 gr Spitzer BTSP



<b>Max Case Length:</b>	1.670"
<b>Trim-to Length:</b>	1.660"
<b>Max Cart. OAL:</b>	2.360"
<b>RCBS Shell Holder:</b>	# 43
<b>Test Firearm:</b>	Universal Receiver
<b>Barrel Length:</b>	24"



6mm	Speer Part No.	Weight, grains	COAL Tested	Ballistic Coefficient	Sectional Density	
	<b>85 gr Spitzer BTSP</b>	1213	85	2.255"	.380	.206

Propellant	Cartridge Case	Primer	START CHARGE		MAXIMUM CHARGE	
			Grain	Velocity (ft/sec)	Grain	Velocity (ft/sec)
Accurate 4350	Winchester	Federal 210	41.5	3086	<b>43.5</b>	3201
Alliant Reloder 15	Winchester	Federal 210	37.0	3146	<b>39.0</b>	3260
Alliant Reloder 19	Winchester	Federal 210	45.0	3131	<b>47.0 C</b>	3272
Hodgdon H414	Winchester	Federal 215	41.5	3169	<b>43.5</b>	3274
IMR 4350	Winchester	Federal 210	41.0	3145	<b>43.0</b>	3252
IMR 4895	Winchester	Federal 210	35.0	3066	<b>37.5</b>	3184
Ramshot Big Game	Winchester	Federal 215	39.5	3113	<b>41.5</b>	3222
Vihtavuori N540	Winchester	Federal 210	36.0	3076	<b>38.0</b>	3191

Winchester 760	Winchester	Federal 215	41.5	3162	<b>43.5</b>	3271
----------------	------------	-------------	------	------	-------------	------

C = Compressed Load

[speer-ammo.com](http://speer-ammo.com)