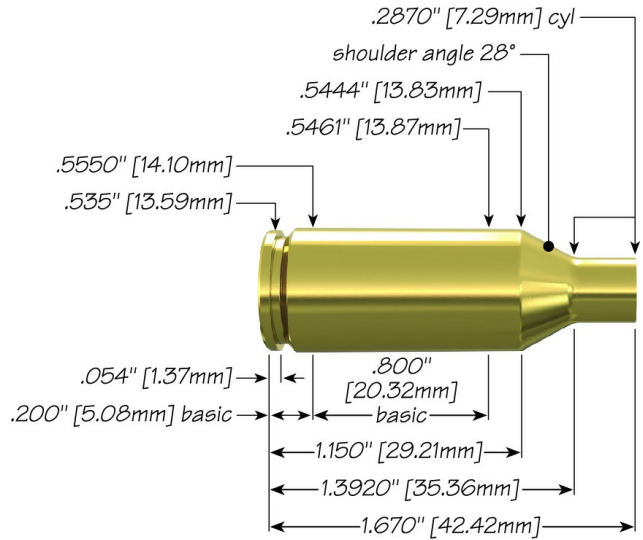



243 Winchester Super Short Magnum with 90 gr Spitzer Hot-Cor®



Max Case Length:	1.670"
Trim-to Length:	1.660"
Max Cart. OAL:	2.360"
RCBS Shell Holder:	# 43
Test Firearm:	Universal Receiver
Barrel Length:	24"



6mm	Speer Part No.	Weight, grains	COAL Tested	Ballistic Coefficient	Sectional Density	
	90 gr Spitzer Hot-Cor®	1217	90	2.360"	.365	.218

Propellant	Cartridge Case	Primer	START CHARGE		MAXIMUM CHARGE	
			Grain	Velocity (ft/sec)	Grain	Velocity (ft/sec)
Accurate 4350	Winchester	Federal 210	41.0	3023	43.0	3140
Alliant Reloder 19	Winchester	Federal 210	43.0	3114	45.0	3218
Alliant Reloder 22	Winchester	Federal 210	44.5	3149	46.5	3250
Hodgdon H414	Winchester	Federal 215	41.0	3095	43.0	3205
IMR 4350	Winchester	Federal 210	40.5	3088	42.5	3208
IMR 4895	Winchester	Federal 210	34.5	2960	36.5	3079
Ramshot Big Game	Winchester	Federal 215	38.0	3010	40.0	3113
Ramshot Magnum	Winchester	Federal 215	50.0	3007	52.0 C	3122

Winchester 760

Winchester

Federal 215

40.5

3080

42.5

3182

C = Compressed Load

speer-ammo.com