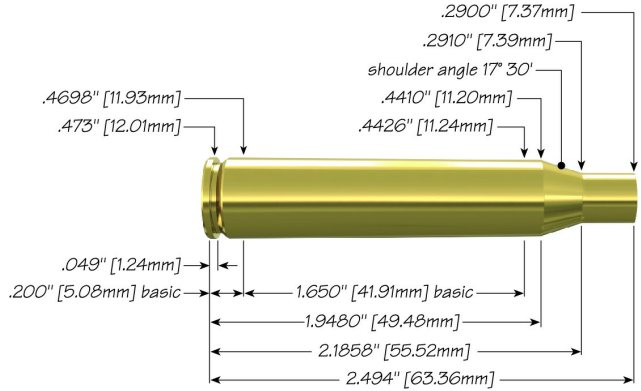





25-06 Remington with 100 gr Spitzer BTSP



Max Case Length: 2.494"
Trim-to Length: 2.484"
Max Cart. OAL: 3.250"
RCBS Shell Holder: # 3
Test Firearm: Universal Receiver
Barrel Length: 24"



25	Speer Part No.	Weight, grains	COAL Tested	Ballistic Coefficient	Sectional Density	
	100 gr HP	1407	100	3.095"	.263	.216
	100 gr Spitzer BTSP	1408	100	3.095"	.393	.216
	100 gr Spitzer SP Hot-Cor®	1405	100	3.095"	.334	.216

Propellant	Cartridge Case	Primer	START CHARGE		MAXIMUM CHARGE	
			Grain	Velocity (ft/sec)	Grain	Velocity (ft/sec)
Accurate 3100	Winchester	CCI200	52.0	2845	56.0	3120
Alliant Power Pro 4000-MR	Federal	Federal 210	48.0	2947	52.7	3229
Alliant Reloder 17	Federal	Federal 210	46.5	2956	51.4	3308
Alliant Reloder 19	Winchester	CCI200	53.0	2903	57.0	3226
Alliant Reloder 23	Federal	Federal 210	50.5	3000	55.0 C	3323
Alliant Reloder 25	Winchester	CCI200	57.0	3123	59.0 C	3224

Hodgdon H1000	Winchester	CCI200	57.0	2933	61.0 C	3151
Hodgdon H414	Winchester	CCI250	46.0	2783	50.0	3111
Hodgdon H4831SC	Winchester	CCI200	51.0	2999	55.0	3215
IMR 4350	Winchester	CCI200	49.0	3067	53.0	3298
IMR 4831	Winchester	CCI200	52.0	2997	56.0	3287
IMR 7828	Winchester	CCI200	56.0	2892	60.0 C	3222
IMR SR 4759 (Reduced Load)	Winchester	CCI200	15.0	1524	19.0	1892
Vihtavuori N160	Winchester	CCI200	49.0	2828	53.0	3129

C = Compressed Load

speer-ammo.com