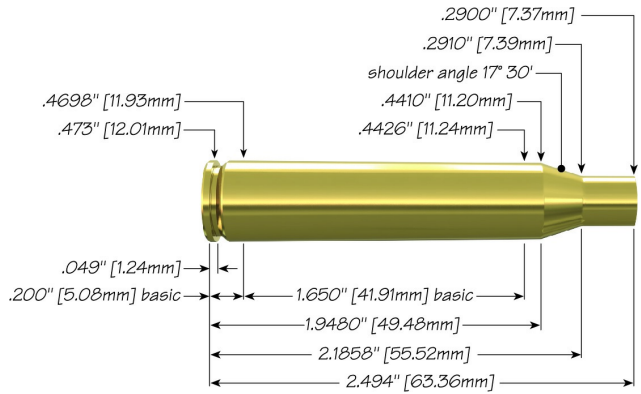



# 25-06 Remington with 120 gr Spitzer BTSP



**Max Case Length:** 2.494"  
**Trim-to Length:** 2.484"  
**Max Cart. OAL:** 3.250"  
**RCBS Shell Holder:** # 3  
**Test Firearm:** Universal Receiver  
**Barrel Length:** 24"



25	Speer Part No.	Weight, grains	COAL Tested	Ballistic Coefficient	Sectional Density
 <b>120 gr Spitzer BTSP</b>	1410	120	3.200"	.480	.260

Propellant	Cartridge Case	Primer	START CHARGE		MAXIMUM CHARGE	
			Grain	Velocity (ft/sec)	Grain	Velocity (ft/sec)
Accurate 3100	Winchester	CCI 200	47.0	2567	<b>51.0</b>	2818
Accurate 4350	Winchester	CCI 200	45.0	2655	<b>49.0</b>	2843
Alliant Power Pro 4000-MR	Federal	Federal 210	44.5	2682	<b>48.6</b>	2923
Alliant Reloder 17	Federal	Federal 210	43.0	2708	<b>47.2</b>	2972
Alliant Reloder 23	Federal	Federal 210	46.5	2718	<b>51.0</b>	3010
Alliant Reloder 25	Winchester	CCI 200	56.0	2971	<b>58.0 C</b>	3071
Alliant Reloder 26	Federal	Federal 210	49.0	2765	<b>53.4</b>	3023
Hodgdon H1000	Winchester	CCI 200	51.0	2644	<b>55.0</b>	2922
Hodgdon H4350	Winchester	CCI 200	44.0	2577	<b>48.0</b>	2792

Hodgdon H4831SC	Winchester	CCI200	48.0	2769	<b>52.0</b>	2958
IMR 4350	Winchester	CCI200	44.5	2773	<b>48.5</b>	2990
IMR 4831	Winchester	CCI200	46.0	2769	<b>50.0</b>	2980
IMR 7828	Winchester	CCI200	51.0	2644	<b>55.0</b>	2885
IMR SR 4759 (Reduced Load)	Winchester	CCI200	17.0	1501	<b>21.0</b>	1861

C = Compressed Load

[speer-ammo.com](http://speer-ammo.com)