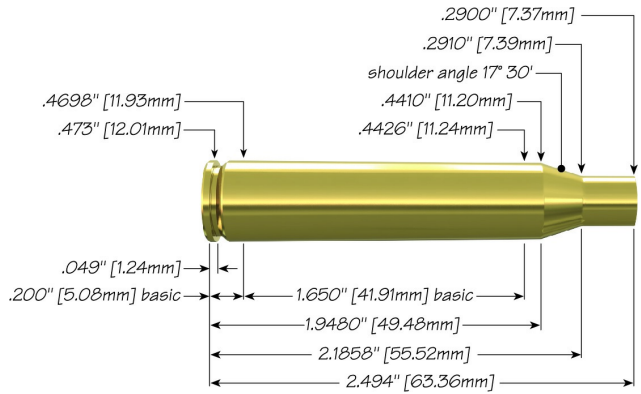




# 25-06 Remington with 87 gr Spitzer Hot-Cor®



**Max Case Length:** 2.494"  
**Trim-to Length:** 2.484"  
**Max Cart. OAL:** 3.250"  
**RCBS Shell Holder:** # 3  
**Test Firearm:** Universal Receiver  
**Barrel Length:** 24"



25	Speer Part No.	Weight, grains	COAL Tested	Ballistic Coefficient	Sectional Density
	<b>87 gr Spitzer Hot-Cor®</b> 1241	87	3.115"	.300	.188
	<b>87 gr TNT® HP</b> 1246	87	3.115"	.337	.188

Propellant	Cartridge Case	Primer	START CHARGE		MAXIMUM CHARGE	
			Grain	Velocity (ft/sec)	Grain	Velocity (ft/sec)
Accurate 3100	Winchester	CCI 200	57.0	3021	<b>61.0 C</b>	3357
Alliant AR-Comp	Federal	Federal 210	39.2	3038	<b>43.5</b>	3284
Alliant Power Pro 4000-MR	Federal	Federal 210	51.0	3166	<b>55.5</b>	3434
Alliant Power Pro Varmint	Federal	Federal 210	33.5	2845	<b>36.9</b>	3078
Alliant Reloder 15	Winchester	CCI 200	43.0	2983	<b>47.0</b>	3268
Alliant Reloder 19	Winchester	CCI 200	56.0	3089	<b>60.0 C</b>	3452
Hodgdon H380	Winchester	CCI 250	48.0	2940	<b>52.0</b>	3268
Hodgdon H414	Winchester	CCI 250	47.0	3077	<b>51.0</b>	3359

Hodgdon H4350	Winchester	CCI200	54.0	3157	<b>58.0</b>	3431
Hodgdon H4831SC	Winchester	CCI200	55.5	3298	<b>57.5</b>	3410
IMR 4064	Winchester	CCI200	45.0	3083	<b>49.0</b>	3352
IMR 4350	Winchester	CCI200	52.0	3075	<b>56.0</b>	3380
IMR 4831	Winchester	CCI200	55.0	3102	<b>59.0</b>	3428
IMR 7828	Winchester	CCI200	59.0	3076	<b>63.0 C</b>	3419
IMR SR 4759 (Reduced Load)	Winchester	CCI200	13.0	1502	<b>17.0</b>	1933
Vihtavuori N560	Winchester	CCI200	53.0	3353	<b>57.0</b>	3552

C = Compressed Load

[speer-ammo.com](http://speer-ammo.com)