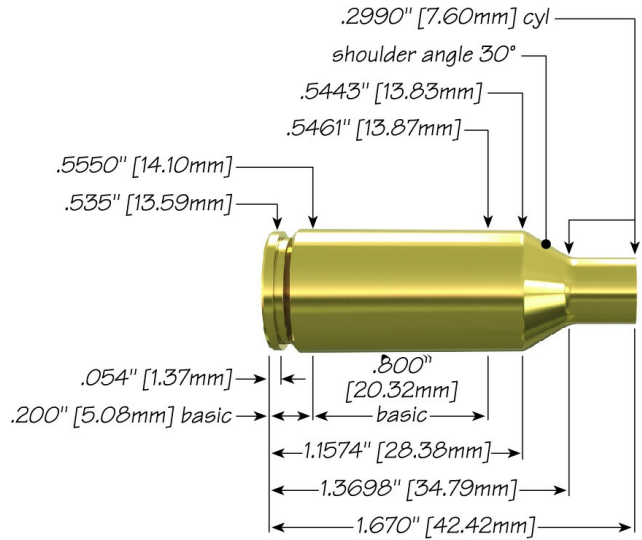





# 25 Winchester Super Short Magnum with 100 gr Spitzer BTSP



<b>Max Case Length:</b>	1.670"
<b>Trim-to Length:</b>	1.660"
<b>Max Cart. OAL:</b>	2.360"
<b>RCBS Shell Holder:</b>	# 43
<b>Test Firearm:</b>	Universal Receiver
<b>Barrel Length:</b>	24"



25	Speer Part No.	Weight, grains	COAL Tested	Ballistic Coefficient	Sectional Density	
	<b>100 gr HP</b>	1407	100	2.270"	.334	.216
	<b>100 gr Spitzer BTSP</b>	1408	100	2.270"	.393	.216
	<b>100 gr Spitzer SP Hot-Cor®</b>	1405	100	2.280"	.263	.216

Propellant	Cartridge Case	Primer	START CHARGE		MAXIMUM CHARGE	
			Grain	Velocity (ft/sec)	Grain	Velocity (ft/sec)
Accurate 4350	Winchester	CCI 200	44.0	2954	<b>48.0 C</b>	3200
Accurate 5744 (reduced load)	Winchester	CCI 200	20.0	1996	<b>22.0</b>	2136
Alliant Reloder 10X	Winchester	CCI 200	31.0	2751	<b>35.0</b>	2984
Alliant Reloder 15	Winchester	CCI 200	37.5	2890	<b>41.5</b>	3110
Alliant Reloder 19	Winchester	CCI 200	45.5	2927	<b>49.5 C</b>	3180

Hodgdon H380	Winchester	CCI250	41.5	2890	<b>45.5</b>	3135
Hodgdon H414	Winchester	CCI250	44.5	2991	<b>48.5</b>	3222
Hodgdon Varget	Winchester	CCI200	36.0	2886	<b>40.0</b>	3099
IMR 4350	Winchester	CCI200	43.0	2909	<b>47.0 C</b>	3137
IMR 4895	Winchester	CCI200	36.0	2845	<b>40.0</b>	3084
Ramshot Big Game	Winchester	CCI250	42.0	2924	<b>46.0</b>	3141
Vihtavuori N560	Winchester	CCI200	46.0	2891	<b>50.0 C</b>	3154
Winchester 760	Winchester	CCI250	45.5	2995	<b>49.5</b>	3254

C = Compressed Load

[speer-ammo.com](http://speer-ammo.com)