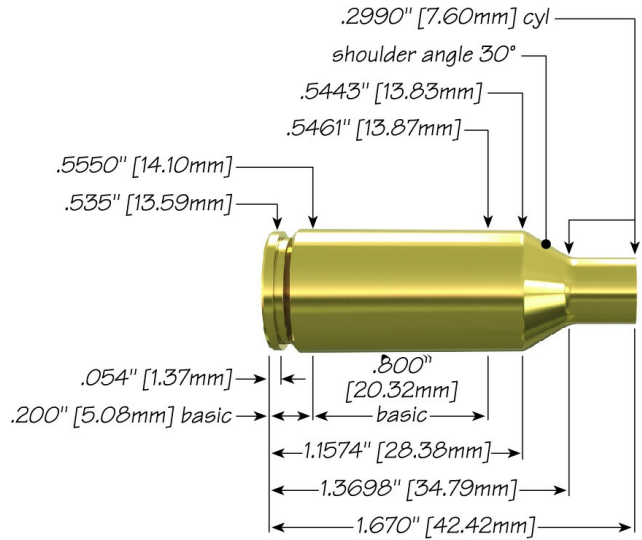



25 Winchester Super Short Magnum with 120 gr Spitzer BTSP



Max Case Length:	1.670"
Trim-to Length:	1.660"
Max Cart. OAL:	2.360"
RCBS Shell Holder:	# 43
Test Firearm:	Universal Receiver
Barrel Length:	24"



25	Speer Part No.	Weight, grains	COAL Tested	Ballistic Coefficient	Sectional Density	
	120 gr Spitzer BTSP	1410	120	2.270"	.480	.260

Propellant	Cartridge Case	Primer	START CHARGE		MAXIMUM CHARGE	
			Grain	Velocity (ft/sec)	Grain	Velocity (ft/sec)
Accurate 4350	Winchester	CCI 200	39.0	2649	43.0	2861
Alliant Reloder 10X	Winchester	CCI 200	27.5	2368	31.5	2607
Alliant Reloder 15	Winchester	CCI 200	34.0	2551	38.0	2792
Alliant Reloder 19	Winchester	CCI 200	42.0	2685	46.0 C	2914
Hodgdon H380	Winchester	CCI 250	38.5	2624	42.5	2846
Hodgdon H414	Winchester	CCI 250	41.0	2709	45.0	2929
Hodgdon Varget	Winchester	CCI 200	32.5	2522	36.5	2744
IMR 4350	Winchester	CCI 200	39.0	2624	43.0	2881

IMR 4895	Winchester	CCI200	33.0	2528	37.0	2776
Ramshot Big Game	Winchester	CCI250	38.0	2622	42.0	2840
Vihtavuori N560	Winchester	CCI200	42.0	2662	46.0	2901
Winchester 760	Winchester	CCI250	41.0	2713	45.0	2921

C = Compressed Load

speer-ammo.com