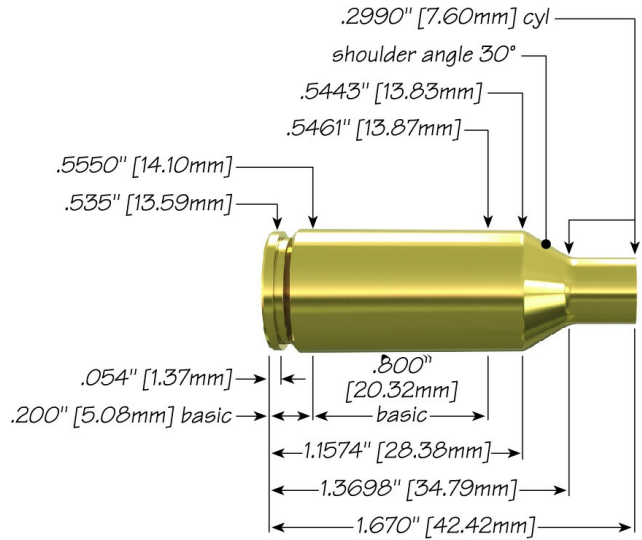




25 Winchester Super Short Magnum with 87 gr Spitzer SP Hot-Cor®



Max Case Length:	1.670"
Trim-to Length:	1.660"
Max Cart. OAL:	2.360"
RCBS Shell Holder:	# 43
Test Firearm:	Universal Receiver
Barrel Length:	24"



25	Speer Part No.	Weight, grains	COAL Tested	Ballistic Coefficient	Sectional Density	
	87 gr Spitzer SP Hot-Cor®	1241	87	2.270"	.300	.188
	87 gr TNT® HP	1246	87	2.350"	.337	.188

Propellant	Cartridge Case	Primer	START CHARGE		MAXIMUM CHARGE	
			Grain	Velocity (ft/sec)	Grain	Velocity (ft/sec)
Accurate 4350	Winchester	CCI 200	48.0	3170	50.0 C	3294
Accurate 5744 (reduced load)	Winchester	CCI 200	19.0	1989	21.0	2141
Alliant Reloder 10X	Winchester	CCI 200	35.0	3056	39.0	3313
Alliant Reloder 15	Winchester	CCI 200	41.5	3176	45.5	3428
Alliant Reloder 19	Winchester	CCI 200	48.0	3066	52.0 C	3333
Hodgdon H380	Winchester	CCI 250	46.0	3177	50.0 C	3417

Hodgdon H414	Winchester	CCI250	47.0	3183	51.0 C	3428
Hodgdon Varget	Winchester	CCI200	39.0	3095	43.0	3358
IMR 4350	Winchester	CCI200	46.0	3073	50.0 C	3354
IMR 4895	Winchester	CCI200	40.0	3153	44.0	3411
Ramshot Big Game	Winchester	CCI250	46.0	3159	50.0	3445
Vihtavuori N560	Winchester	CCI200	48.0	3041	52.0 C	3271
Winchester 760	Winchester	CCI250	49.0	3258	51.0 C	3392

C = Compressed Load

speer-ammo.com