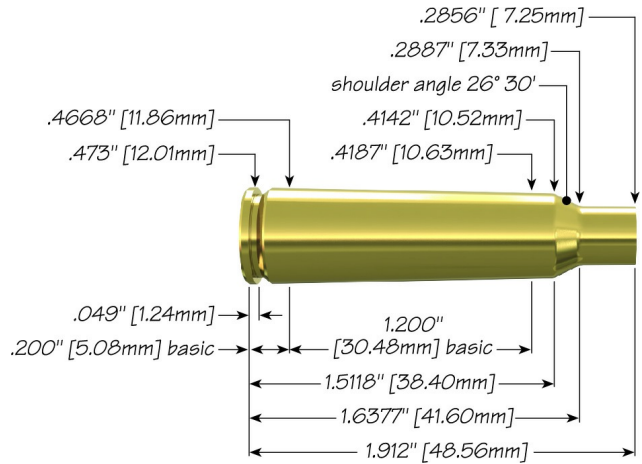





250 Savage with 100 gr Spitzer BTSP



Max Case Length:	1.912"
Trim-to Length:	1.902"
Max Cart. OAL:	2.515"
RCBS Shell Holder:	# 3
Test Firearm:	Universal Receiver
Barrel Length:	24"



25	Speer Part No.	Weight, grains	COAL Tested	Ballistic Coefficient	Sectional Density	
	100 gr HP	1407	100	2.400"	.263	.216
	100 gr Spitzer BTSP	1408	100	2.490"	.393	.216
	100 gr Spitzer SP Hot-Cor®	1405	100	2.450"	.334	.216

Propellant	Cartridge Case	Primer	START CHARGE		MAXIMUM CHARGE	
			Grain	Velocity (ft/sec)	Grain	Velocity (ft/sec)
Accurate 2520	Winchester	CCI 250	29.0	2392	33.0	2763
Accurate 3100	Winchester	CCI 200	36.0	2340	40.0 C	2670
Alliant Power Pro Varmint	Hornady	CCI 200	33.0	2791	35.4	2953
Alliant Reloder 15	Winchester	CCI 200	28.0	2244	32.0	2532
Hodgdon BL-C(2)	Winchester	CCI 250	28.0	2223	32.0	2509
Hodgdon CFE 223	Hornady	CCI 200	36.0	2877	38.2	3026

Hodgdon H380	Winchester	CCI250	31.0	2256	35.0	2604
Hodgdon H414	Winchester	CCI250	34.0	2504	38.0 C	2743
Hodgdon H4350	Winchester	CCI200	34.0	2340	38.0 C	2674
IMR 4064	Winchester	CCI200	29.0	2346	33.0	2622
IMR 4166	Hornady	CCI200	30.5	2640	32.7	2783
IMR 4350	Winchester	CCI200	33.5	2313	37.5 C	2647
IMR 4451	Hornady	CCI200	36.0	2629	38.7	2791
IMR 4831	Winchester	CCI200	35.0	2301	39.0 C	2633
Winchester 748	Winchester	CCI250	30.0	2294	34.0	2649
Winchester 760	Winchester	CCI250	34.0	2480	38.0 C	2716

C = Compressed Load

speer-ammo.com