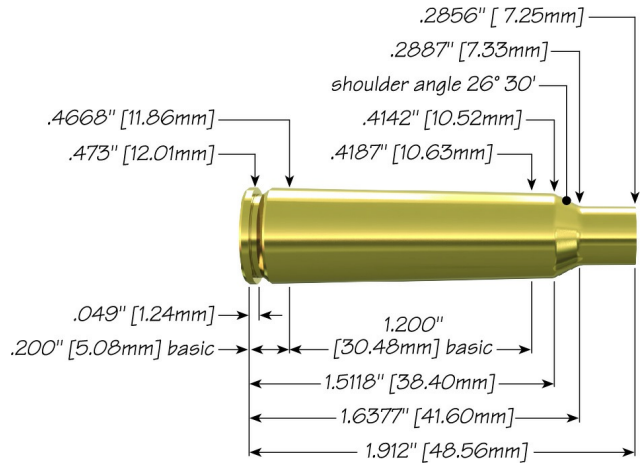



# 250 Savage with 120 gr Spitzer BTSP



<b>Max Case Length:</b>	1.912"
<b>Trim-to Length:</b>	1.902"
<b>Max Cart. OAL:</b>	2.515"
<b>RCBS Shell Holder:</b>	# 3
<b>Test Firearm:</b>	Universal Receiver
<b>Barrel Length:</b>	24"



25	Speer Part No.	Weight, grains	COAL Tested	Ballistic Coefficient	Sectional Density	
	<b>120 gr Spitzer BTSP</b>	1410	120	2.450"	.480	.260

Propellant	Cartridge Case	Primer	START CHARGE		MAXIMUM CHARGE	
			Grain	Velocity (ft/sec)	Grain	Velocity (ft/sec)
Accurate 3100	Winchester	CCI 200	33.0	2163	<b>37.0 C</b>	2411
Alliant Power Pro Varmint	Hornady	CCI 200	29.0	2415	<b>32.0</b>	2597
Alliant Reloder 15	Winchester	CCI 200	27.0	2123	<b>31.0</b>	2397
Alliant Reloder 17	Hornady	CCI 200	33.5	2452	<b>35.9</b>	2619
Alliant Reloder 19	Winchester	CCI 200	34.0	2200	<b>38.0</b>	2497
Hodgdon H380	Winchester	CCI 250	29.0	2159	<b>33.0</b>	2370
Hodgdon H414	Winchester	CCI 250	32.0	2290	<b>36.0</b>	2511
Hodgdon H4350	Winchester	CCI 200	31.0	2059	<b>35.0 C</b>	2354
IMR 4166	Hornady	CCI 200	27.0	2333	<b>30.3</b>	2488

IMR 4198 (Reduced Load)	Winchester	CCI200	18.0	1644	<b>20.0</b>	1858
IMR 4320	Winchester	CCI200	27.0	2084	<b>31.0</b>	2371
IMR 4350	Winchester	CCI200	30.0	2062	<b>34.0</b>	2344
IMR 4831	Winchester	CCI200	33.0	2116	<b>37.0</b>	2421
Winchester 760	Winchester	CCI250	32.0	2289	<b>36.0</b>	2507

C = Compressed Load

[speer-ammo.com](http://speer-ammo.com)