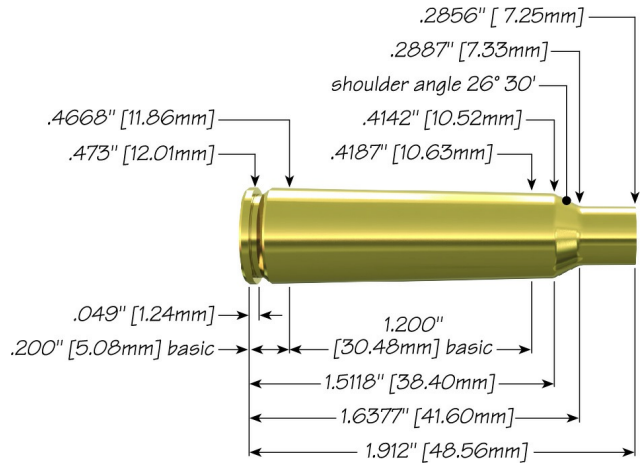




250 Savage with 87 gr Spitzer Hot-Cor®



Max Case Length:	1.912"
Trim-to Length:	1.902"
Max Cart. OAL:	2.515"
RCBS Shell Holder:	# 3
Test Firearm:	Universal Receiver
Barrel Length:	24"



25	Speer Part No.	Weight, grains	COAL Tested	Ballistic Coefficient	Sectional Density	
	87 gr Spitzer Hot-Cor®	1241	87	2.465"	.300	.188
	87 gr TNT® HP	1246	87	2.500"	.337	.188

Propellant	Cartridge Case	Primer	START CHARGE		MAXIMUM CHARGE	
			Grain	Velocity (ft/sec)	Grain	Velocity (ft/sec)
Accurate 2700	Winchester	CCI 250	37.0	2646	41.0	2901
Accurate 3100	Winchester	CCI 200	37.0	2451	41.0 C	2788
Accurate 4064	Winchester	CCI 200	31.0	2578	35.0	2849
Alliant AR-Comp	Hornady	CCI 200	30.5	2868	33.8	3047
Alliant Power Pro 2000-MR	Hornady	CCI 200	36.5	2937	40.1	3164
Alliant Power Pro Varmint	Hornady	CCI 200	34.0	2947	37.0	3148
Alliant Reloder 15	Winchester	CCI 200	33.0	2642	37.0	2982
Hodgdon Benchmark	Hornady	CCI 200	31.5	2929	33.9	3059

Hodgdon BL-C(2)	Winchester	CCI 250	31.0	2476	35.0	2767
Hodgdon CFE 223	Hornady	CCI 200	37.5	3046	39.7	3207
Hodgdon H380	Winchester	CCI 250	38.0	2821	42.0 C	3097
Hodgdon H414	Winchester	CCI 250	37.0	2749	41.0 C	3005
IMR 4350	Winchester	CCI 200	37.0	2589	41.0 C	2963
IMR 4831	Winchester	CCI 200	38.0	2507	42.0 C	2866
IMR 8208 XBR	Hornady	CCI 200	32.5	2890	34.9	3051
IMR SR 4759 (Reduced Load)	Winchester	CCI 200	12.5	1622	14.5	1928
Winchester 748	Winchester	CCI 250	31.0	2486	35.0	2793
Winchester 760	Winchester	CCI 250	37.0	2733	41.0 C	2994

C = Compressed Load

speer-ammo.com