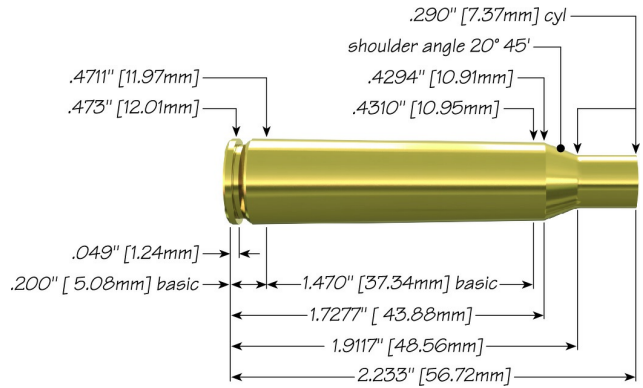





# 257 Roberts +P with 100 gr HP



**Max Case Length:** 2.233"  
**Trim-to Length:** 2.223"  
**Max Cart. OAL:** 2.780"  
**RCBS Shell Holder:** # 3  
**Test Firearm:** Universal Receiver  
**Barrel Length:** 24"



25		Speer Part No.	Weight, grains	COAL Tested	Ballistic Coefficient	Sectional Density
	<b>100 gr HP</b>	1407	100	2.760"	.263	.216
	<b>100 gr Spitzer BTSP</b>	1408	100	2.770"	.393	.216
	<b>100 gr Spitzer SP Hot-Cor®</b>	1405	100	2.770"	.334	.216

Propellant	Cartridge Case	Primer	START CHARGE		MAXIMUM CHARGE	
			Grain	Velocity (ft/sec)	Grain	Velocity (ft/sec)
Accurate 2700	Winchester	CCI250	37.0	2529	<b>41.0</b>	2807
Alliant Power Pro 4000-MR	Federal	Federal 210	42.0	2762	<b>46.7 C</b>	3062
Alliant Reloder 15	Winchester	CCI200	33.0	2509	<b>37.0</b>	2785
Alliant Reloder 16	Federal	Federal 210	41.1	2809	<b>45.7 C</b>	3103
Alliant Reloder 17	Federal	Federal 210	40.6	2750	<b>45.1</b>	3050
Alliant Reloder 19	Winchester	CCI200	45.0	2843	<b>49.0</b>	3094

Alliant Reloder 23	Federal	Federal 210	43.9	2767	<b>48.8 C</b>	3064
Hodgdon H380	Winchester	CCI250	38.0	2566	<b>42.0</b>	2842
Hodgdon H414	Winchester	CCI250	40.0	2657	<b>44.0</b>	2878
Hodgdon H4350	Winchester	CCI200	43.0	2795	<b>47.0 C</b>	3055
Hodgdon H4831	Winchester	CCI200	46.0	2774	<b>50.0 C</b>	3030
IMR 4064	Winchester	CCI200	35.0	2584	<b>39.0</b>	2871
IMR 4320	Winchester	CCI200	35.0	2505	<b>39.0</b>	2768
IMR 4350	Winchester	CCI200	41.0	2694	<b>45.0</b>	2944
IMR 4831	Winchester	CCI200	44.0	2805	<b>48.0</b>	3053
IMR 7828	Winchester	CCI200	47.0	2711	<b>51.0 C</b>	3023
IMR SR 4759 (Reduced Load)	Winchester	CCI200	15.0	1728	<b>17.0</b>	1945
Ramshot Hunter	Federal	Federal 210	43.2	2843	<b>48.0</b>	3090
Winchester 760	Winchester	CCI250	41.0	2804	<b>45.0</b>	3113

C = Compressed Load

[speer-ammo.com](http://speer-ammo.com)